

# NP6317

# PARTS CATALOG

REVISION 0

F13-4452	220V	50Hz	UFZ00001 -
F13-4492	220V	50Hz	RFE00001 -

# Canon

APR. 1999

# FY8-31EE-000

## PREFACE

This Parts Catalog contains listings of parts used in the Canon NP6317. Diagrams are provided with the listings to aid the service technician in identifying clearly, the item to be ordered.

Whenever ordering parts, consult this Parts Catalog for all of the information pertaining to each item. Be sure to include, in the Parts Request, the full item description, the item part number, and the quantity.

Canon Inc.

Office Imaging Products Technical Support Div.  
5-1, Hakusan 7-chome,  
Toride-city, Ibaraki 302-8501, Japan

*COPYRIGHT © 1999 CANON INC.*

*Printed in Japan*

*Imprimé au Japon*

Use of this manual should be strictly supervised to avoid disclosure of confidential information.

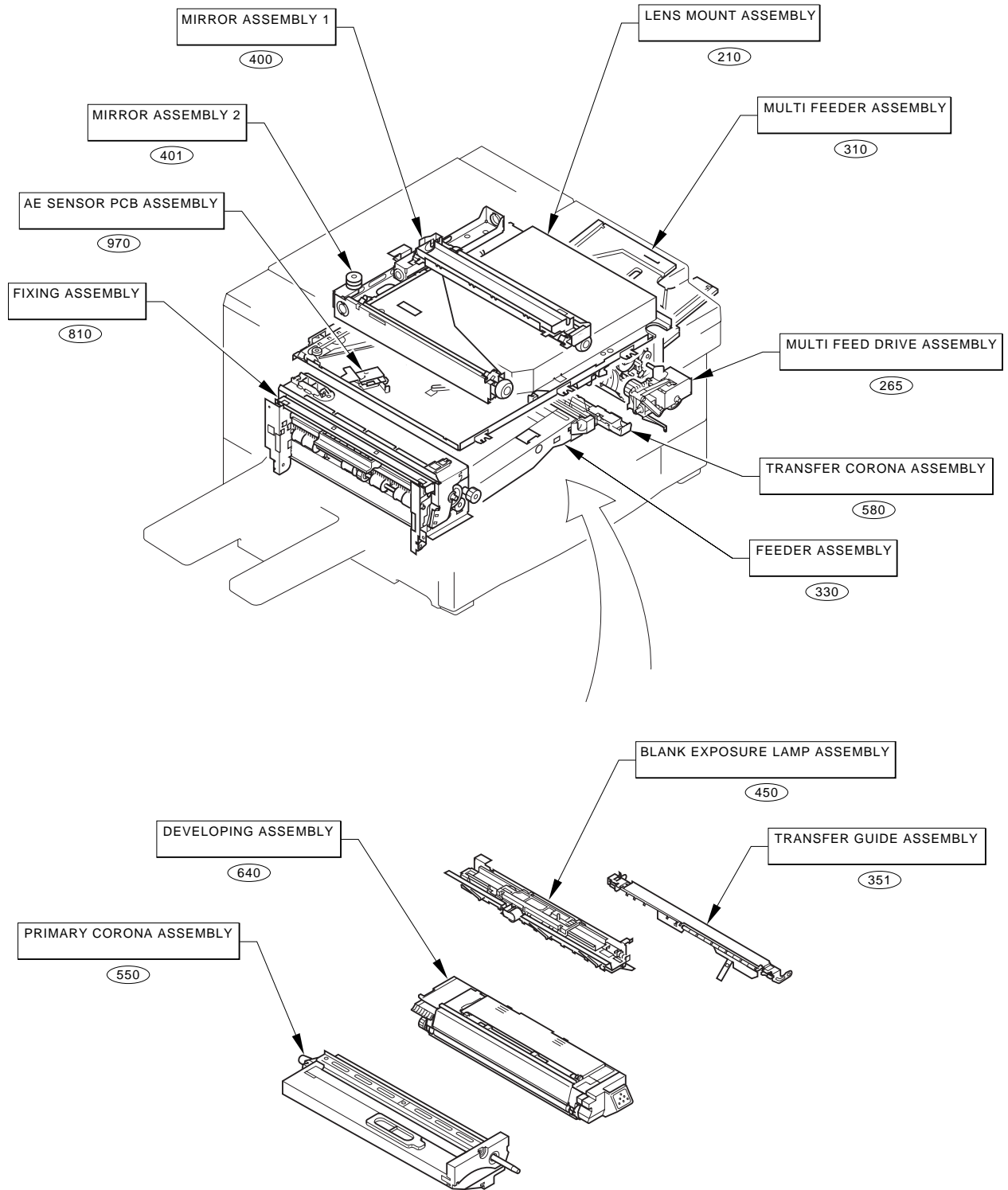
# CONTENTS

## A. ASSEMBLY LOCATION DIAGRAM

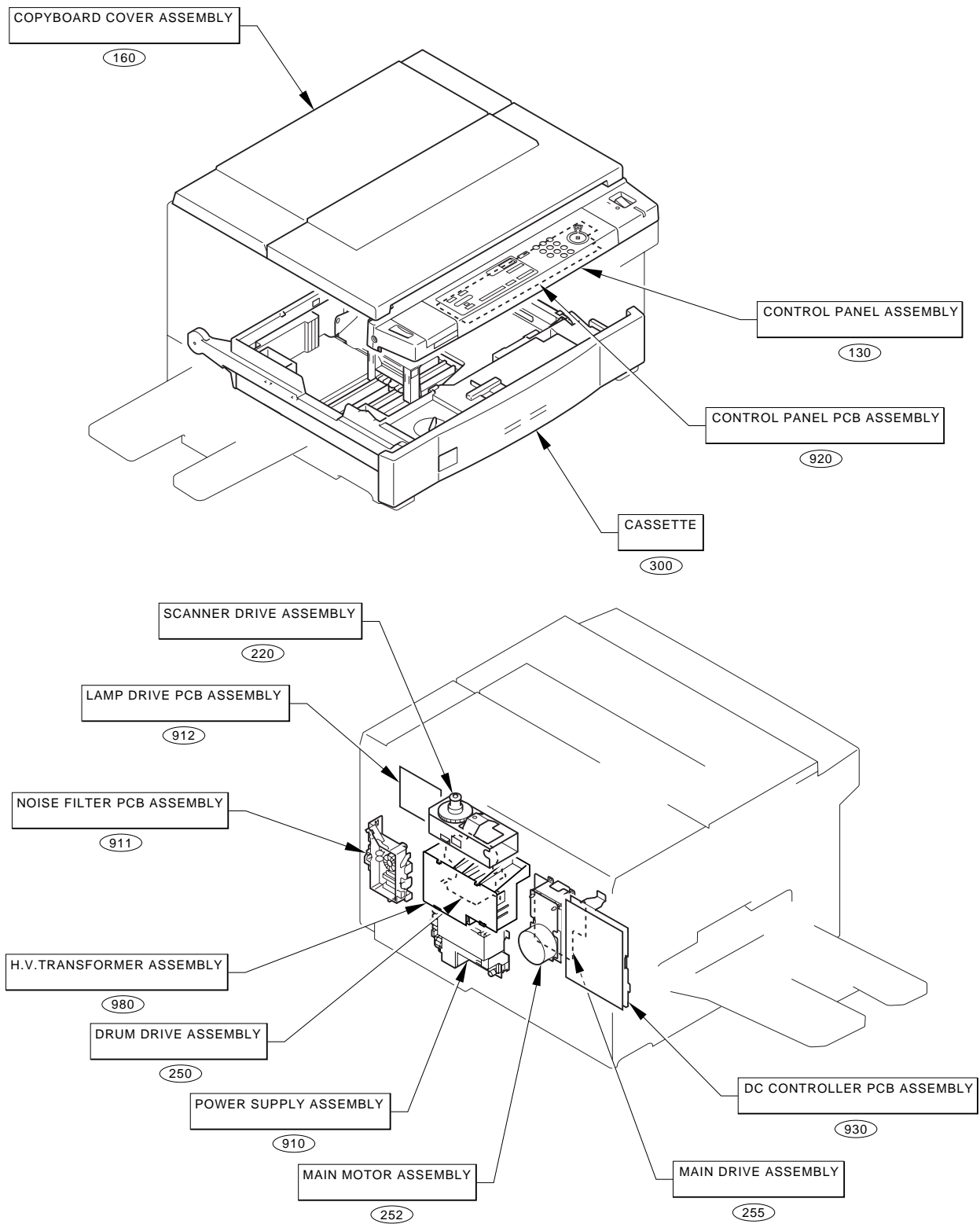
## D. NUMERICAL INDEX

- 020. SORTER MOUNTING HARDWARE
  
  - 100. EXTERNAL COVERS,PANELS,ETC.
  - 101. MACHINE FRONT PLATE
  - 102. INTERNAL COMPONENTS 1
  - 103. INTERNAL COMPONENTS 2
  - 104. MACHINE REAR PLATE
  - 105. MACHINE BOTTOM PLATE
  - 130. CONTROL PANEL ASSEMBLY
  - 160. COPYBOARD COVER ASSEMBLY
  
  - 210. LENS MOUNT ASSEMBLY
  - 220. SCANNER DRIVE ASSEMBLY
  - 250. DRUM DRIVE ASSEMBLY
  - 252. MAIN MOTOR ASSEMBLY
  - 255. MAIN DRIVE ASSEMBLY
  - 265. MULTI FEED DRIVE ASSEMBLY
  
  - 300. CASSETTE
  - 310. MULTI FEEDER ASSEMBLY
  - 330. FEEDER ASSEMBLY
  - 351. TRANSFER GUIDE ASSEMBLY
  
  - 400. MIRROR ASSEMBLY 1
  - 401. MIRROR ASSEMBLY 2
  - 450. BLANK EXPOSURE LAMP ASSEMBLY
  
  - 550. PRIMARY CORONA ASSEMBLY
  - 580. TRANSFER CORONA ASSEMBLY
  
  - 640. DEVELOPING ASSEMBLY
  
  - 810. FIXING ASSEMBLY
  
  - 910. POWER SUPPLY ASSEMBLY
  - 911. NOISE FILTER PCB ASSEMBLY
  - 912. LAMP DRIVE PCB ASSEMBLY
  - 920. CONTROL PANEL PCB ASSEMBLY
  - 930. DC CONTROLLER PCB ASSEMBLY
  - 970. AE SENSOR PCB ASSEMBLY
  - 980. H.V.TRANSFORMER ASSEMBLY
- ## C. LIST OF STANDARD FASTENERS

# FIGURE A ASSEMBLY LOCATION DIAGRAM (1/2)



# FIGURE A ASSEMBLY LOCATION DIAGRAM (2/2)



# FIGURE 020 SORTER MOUNTING HARDWARE

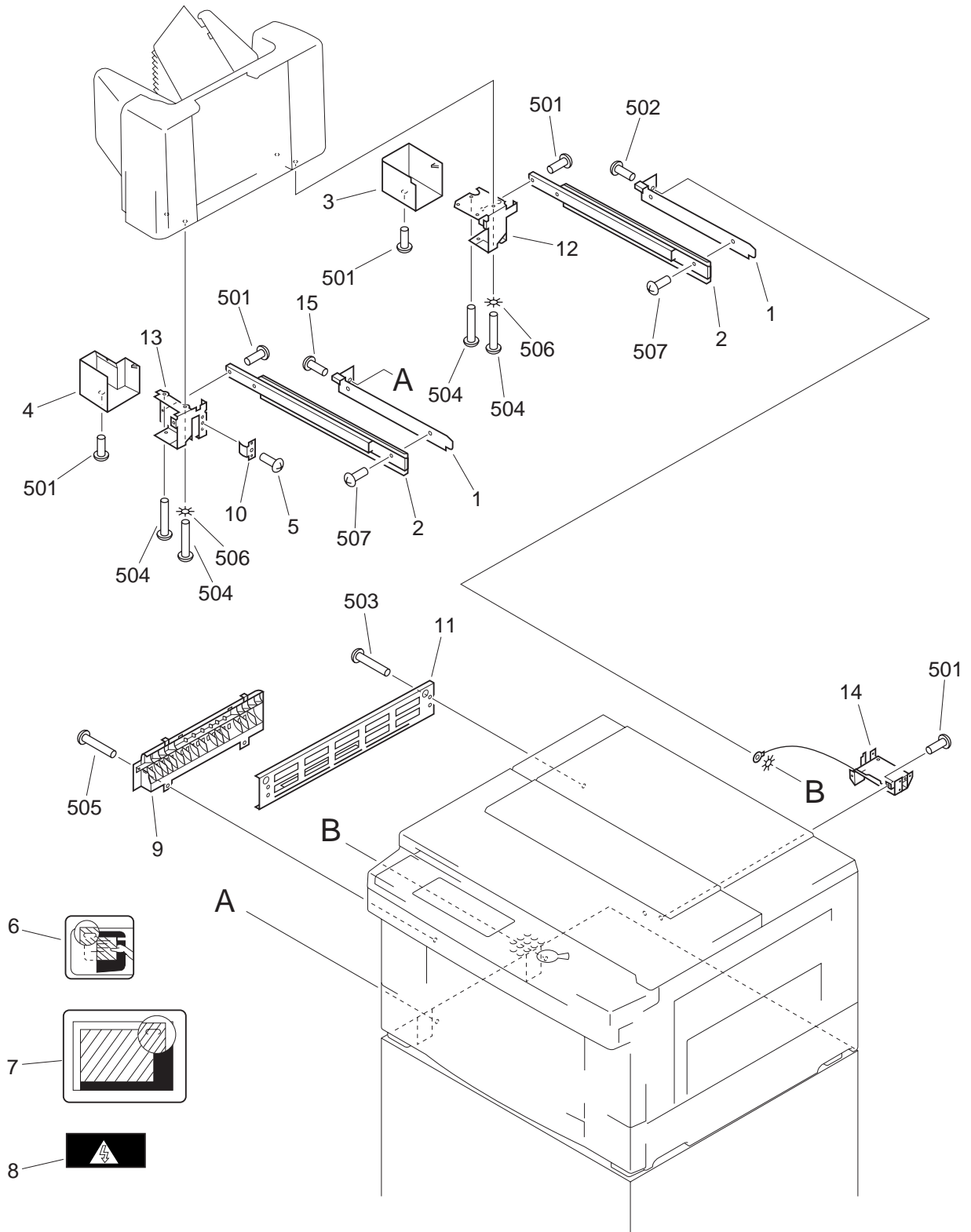


FIGURE & KEY NO.	PART NUMBER	R A N K	Q T Y	DESCRIPTION	SERIAL NUMBER / REMARKS
020 -	NPN		RF	SORTER MOUNTING HARDWARE	
1	FC1-1727-000		1	MOUNT, RAIL	
2	XZ9-0305-020		2	RAIL, SORTER	
3	FC3-0050-000		1	COVER, FOOT, REAR	
4	FC3-0051-000		1	COVER, FOOT, FRONT	
5	XA9-0265-000		5	SCREW,W/WASHER,TRUSS HEAD	
6	FS8-8545-000		1	LABEL (FOR RF)	
7	FS8-8546-000		1	LABEL (FOR COPIER)	
8	FS2-8614-000		1	LABEL, "WARNING,HIGH VOLTAGE"	
9	FA6-6843-000		1	GUIDE, PAPER	
10	FC1-1726-000		1	SPRING, LEAF, GROUNDING	
11	FC1-1762-030		1	PLATE, LATCH	
12	FC3-0052-000		1	MOUNT, SORTER, REAR	
13	FC3-0053-000		1	MOUNT, SORTER, FRONT	
14	FG3-0548-000		1	POWER SUPPLY ASSEMBLY	
15	XA9-0266-000		1	SCREW,W/WASHER,M4X8	
501	XB1-2400-606		14	SCREW,MACH.,TRUSS HEAD,M4X6	
502	XB1-2401-006		1	SCREW,MACH.,TRUSS HEAD,M4X10	
503	XB1-2401-206		2	SCREW,MACH.,TRUSS HEAD,M4X12	
504	XB1-2402-009		4	SCREW,MACH.,TRUSS HEAD,M4X20	
505	XB3-2301-006		2	SCREW,TAPPING,TRUSS HEAD,M3X10	
506	XD1-4200-402		3	WASHER,TOOTHED LOCK	
507	XB1-2400-609		4	SCREW,MACH.,TRUSS HEAD,M4X6	

# FIGURE 100 EXTERNAL COVERS, PANELS, ETC.

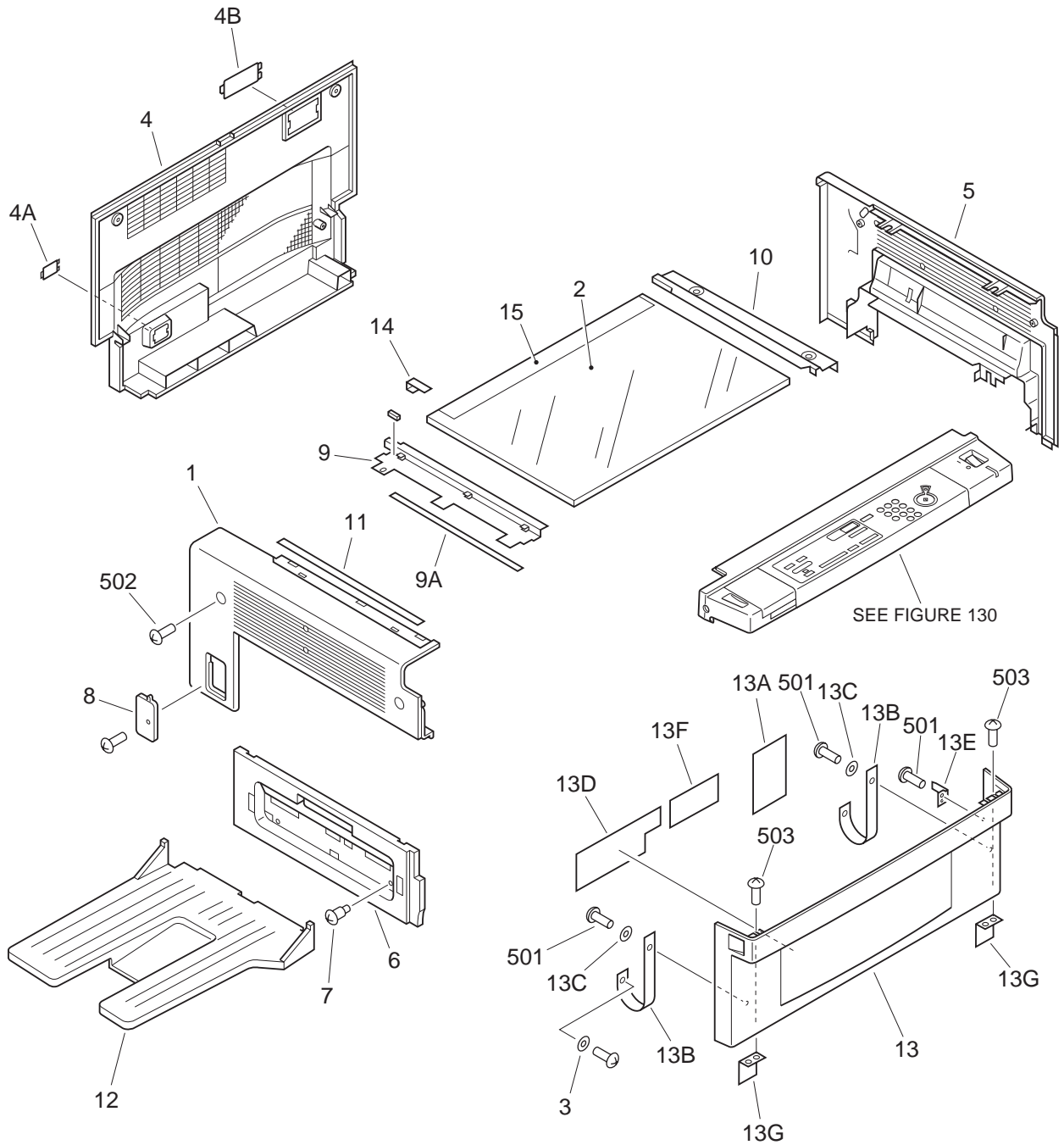




FIGURE & KEY NO.	PART NUMBER	RANK	QTY	DESCRIPTION	SERIAL NUMBER / REMARKS
100 -	NPN		RF	EXTERNAL COVERS, PANELS, ETC.	
1	FC1-5361-00P		1	PANEL, LEFT	
2	FF3-3687-00P		1	GLASS, COPYBOARD	
3	FA2-7162-000		2	PLAIN WASHERS	
4	FG3-0327-00P		1	PANEL, REAR	
4A	FC1-5358-00P		1	COVER, SORTER	
4B	FC1-5359-00P		1	COVER, ADF	
5	FC2-9851-00P		1	PANEL, RIGHT	
6	FA0-0303-00P		1	PANEL, DELIVERY	
7	FS1-9003-000		2	SCREW, STEPPED, M4	
8	FC1-5404-00P		1	COVER, VR	
9	FF2-0012-030		1	PLATE, WHITE	
9A	FA9-1499-000		1	SPACER	
10	FA6-5625-000		1	RETAINER, COPYBOARD GLASS	
11	FS8-8185-000		1	PLATE, WIDTH INDEX	
12	FA0-0652-00P		1	TRAY, COPY	
13	FG3-0347-00P		1	PANEL, FRONT	
13A	FC2-9842-00P		1	LABEL, JAM CLEARING	
13B	FC2-9841-00P		2	STRAP, FRONT PANEL	
13C	FA2-7162-000		4	PLAIN WASHERS	
13D	FA0-0678-00P		1	LABEL, INSTRUCTION	
13E	FA0-0671-00P		1	ACTUATOR, DOOR SWITCH	
13F	FA6-6877-000		1	LABEL, JAM RESET 1	
13G	FB3-4532-00P		2	PLATE, LEFT, CATCH	
14	FA5-2157-000		1	SPRING, LEAF	
15	FS8-8189-000		1	PLATE, SIZE INDEX, LENGTH	
501	XB4-7400-809		6	SCREW, TAPPING, TRUSS HEAD, M4X8	
502	XB1-2400-805		4	SCREW, MACH., TRUSS HEAD, M4X8	
503	XB1-2400-609		4	SCREW, MACH., TRUSS HEAD, M4X6	

# FIGURE 101 MACHINE FRONT PLATE

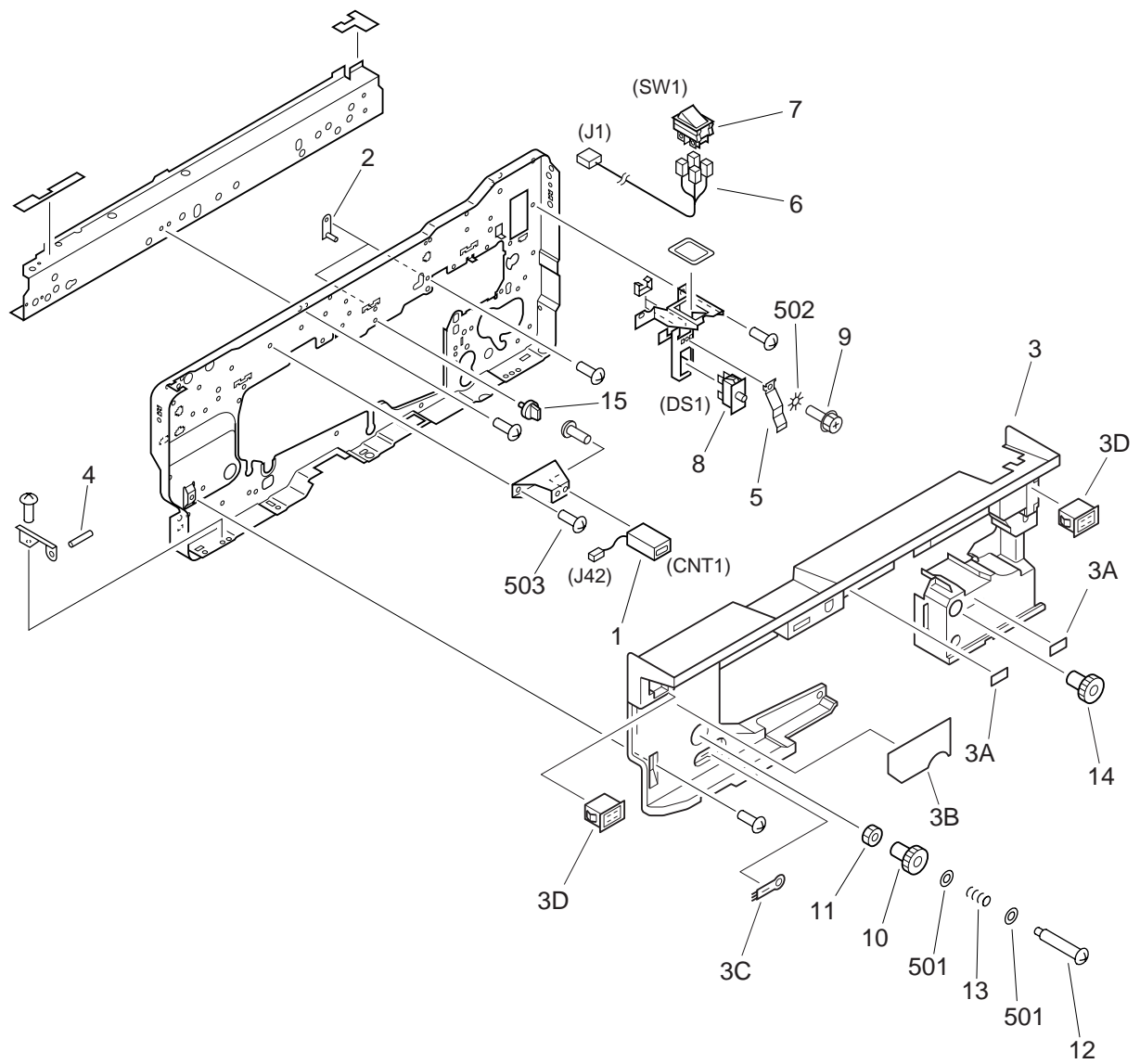


FIGURE & KEY NO.	PART NUMBER	R A N K	Q T Y	DESCRIPTION	SERIAL NUMBER / REMARKS
101 -	NPN		RF	MACHINE FRONT PLATE	
1	WP1-0019-000		1	COUNTER	CNT1 J42
2	FF1-9403-040		2	PIN, MOUNTING	
3	FG3-0348-00P		1	COVER, INNER	
3A	FS3-8377-000		2	LABEL, "WARNING, HIGH VOLTAGE"	
3B	FA6-6878-000		1	LABEL, JAM RESET ,2	
3C	FB1-0733-000		1	BRUSH, CLEANING	
3D	XZ9-0423-00P		2	CATCH, MAGNET	
4	FA9-1785-000		2	PIN HINGE, FRONT PANEL	
5	FB2-2432-000		1	SPRING, LEAF	
6	FG3-0460-00P		1	CABLE, SWITCH	J1
7	FH7-6303-00P		1	SWITCH, ON/OFF	SW1
8	WC8-5051-000		1	SWITCH, PUSH	DS1
9	XA9-0628-000		1	SCREW,RS,M4X8	
10	FA0-0649-00P		1	KNOB	
11	FA9-1780-000		1	NUT	
12	FS1-9255-000		1	SCREW,STEPPED,M4	
13	FS2-2784-000		1	SPRING, COMPRESSION	
14	FC2-9900-00P		1	KNOB	
15	FA6-5618-000		1	KNOB, CARTRIDGE	
501	XD1-1106-723		2	SHIM	
502	XD1-4200-402		1	WASHER,TOOTHED LOCK	
503	XB1-2300-609		1	SCREW,MACH.,TRUSS HEAD,M3X6	

# FIGURE 102 INTERNAL COMPONENTS 1

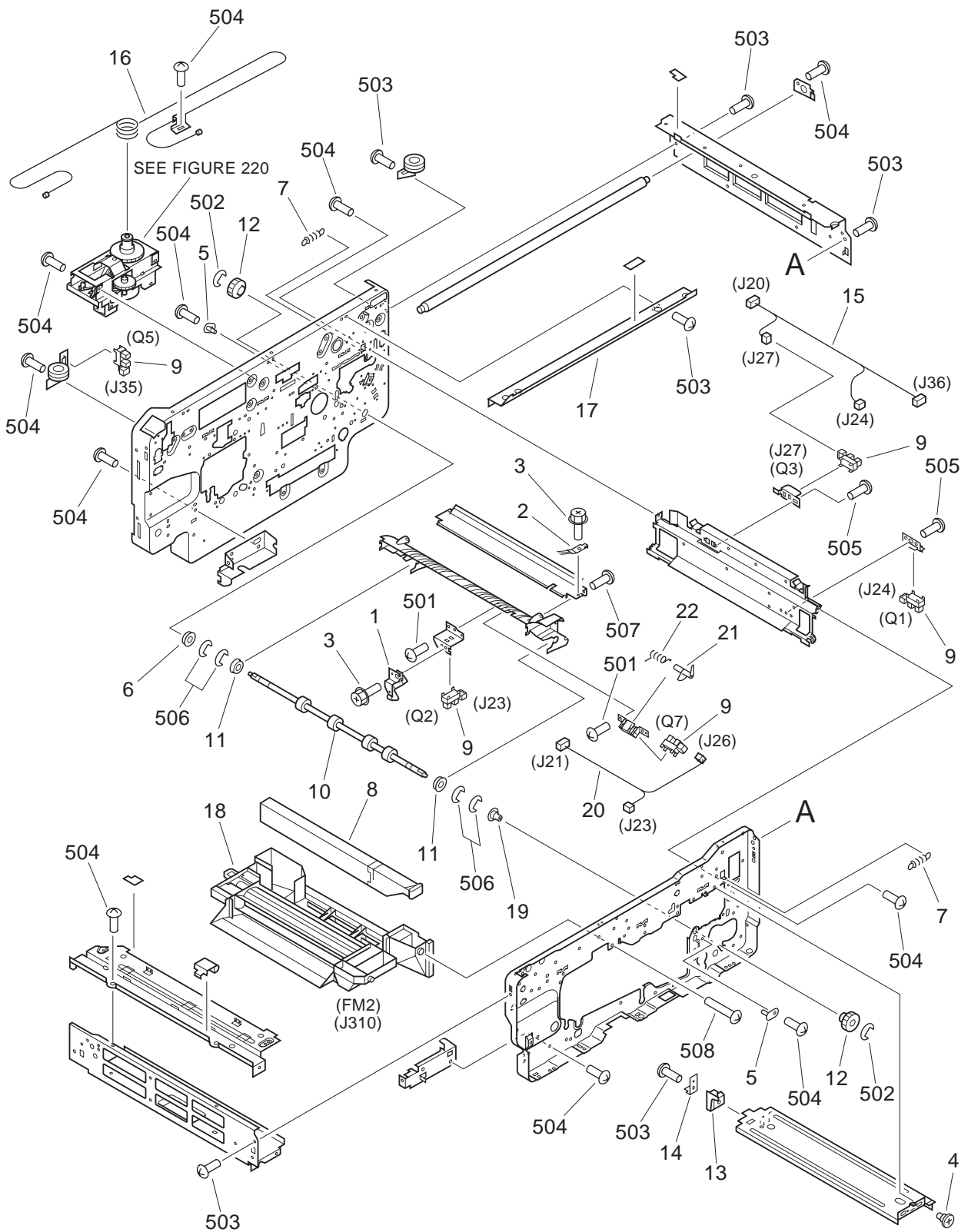


FIGURE & KEY NO.	PART NUMBER	RANK	QTY	DESCRIPTION	SERIAL NUMBER / REMARKS
102 -	NPN		RF	INTERNAL COMPONENTS 1	
1	FF3-3672-00P		1	FLAG, SENSOR	
2	FC2-9860-00P		1	SPRING, LEAF	
3	XA9-0626-000		2	SCREW,RS,M3X6	
4	FS1-9169-000		2	SCREW,STEPPED,M3	
5	FA4-1149-000		2	PIN, PLATE	
6	FS1-1202-000		2	BUSHING	
7	FS2-2768-000		2	SPRING, TENSION	
8	FF2-5595-00P		1	FILTER, OZONE	
9	FH0-0055-00P		5	PHOTO-INTERRUPTER	Q1-3,5,7 J24,23,27,26,35
10	FC2-9721-00P		1	SHAFT, TRANSFER	
11	FS1-1462-000		2	BUSHING	
12	FS2-0875-000		2	GEAR, 16T	
13	FF1-9412-000		1	HOLDER, ELECTRODE	
14	FA5-1802-000		1	BIAS, SOCKET, FASTON	
15	FG3-0436-00P		1	CABLE, DOOR SWITCH	J20,24,27,36
16	FC2-9799-00P		1	CABLE, CARRIDGE	
17	FC2-9831-00P		1	RETAINER, GLASS, RIGHT	
18	FG2-9016-00P		1	OZONE FILTER ASSEMBLY	FM2 J310
19	FS1-1402-000		1	BUSHING	
20	FG3-0441-00P		1	CABLE, REGIST SENSOR	J21,23,26
21	FB2-2129-000		1	FLAG, SENSOR	
22	FS5-2653-000		1	SPRING, TORSION	
501	XB4-7400-809		3	SCREW,TAPPING,TRUSS HEAD,M4X8	
502	XD2-1100-502		4	RING,E	
503	XB4-7300-609		AR	SCREW,TAPPING,TRUSS HEAD,M3X6	
504	XB1-2400-609		AR	SCREW,MACH.,TRUSS HEAD,M4X6	
505	XB1-2300-609		4	SCREW,MACH.,TRUSS HEAD,M3X6	
506	XD2-1100-642		AR	RING,E	
507	XB4-7300-809		2	SCREW,TAPPING,TRUSS HEAD,M3X8	

FIGURE & KEY NO.	PART NUMBER	R A N K	Q T Y	DESCRIPTION	SERIAL NUMBER / REMARKS
102 - 508	XB3-2401-009		AR	SCREW,TAPPING,TRUSS HEAD,M4X10	



FIGURE & KEY NO.	PART NUMBER	RANK	QTY	DESCRIPTION	SERIAL NUMBER / REMARKS
103 -	NPN		RF	INTERNAL COMPONENTS 2	
1	FA1-0056-000		1	BUSHING	
2	FA0-0085-000		2	SPRING, TENSION	
3	FS1-1402-000		1	BUSHING	
4	FG2-2975-00P		1	ROLLER, REGISTRATION, UPPER	
4A	FS2-0122-000		1	GEAR, 26T	
5	FS1-1595-000		2	BUSHING	
6	FG3-0326-00P		1	ROLLER, REGISTRATION, LOWER	
6A	96-0093-000		1	GEAR, 32T	
7	FA5-2090-000		1	SPACER, CLUTCH	
8	FC1-0713-00P		1	SHAFT	
9	FS4-2038-00P		1	SPRING, COMPRESSION	
10	FS4-2039-00P		1	SPRING, COMPRESSION	
11	FC1-0712-00P		2	CAM	
12	FS2-9374-00P		2	SCREW, STEPPED, M4	
13	FC1-5368-00P		1	SHAFT, RELEASE	
14	FA5-1912-000		2	CAM, FEEDER ASSEMBLY RELEASE	
15	FA0-0650-00P		1	LEVER, RELEASE	
16	FC2-9926-00P		1	HANDLE, DEV.	
17	FC2-9744-00P		1	SHAFT, FEEDER	
18	FC2-9745-00P		1	BLOCK, MOVABLE	
19	FC2-9748-00P		1	BLOCK, FIXED	
20	FC2-9749-00P		1	BLOCK, DUMMY	
21	FG3-0352-00P		1	FRONT FEEDER ROLLER	
21A	FC2-9750-00P		1	RUBBER, ROLLER	
22	FG3-0353-00P		1	REAR FEEDER ROLLER	
22A	FC2-9750-00P		1	RUBBER, ROLLER	
23	FH7-5141-000		1	SOLENOID, DC24V	SL1
24	FS4-0553-00P		1	GEAR, 26T	
25	FS4-0554-00P		1	GEAR, 40T	



FIGURE & KEY NO.	PART NUMBER	R A N K	Q T Y	DESCRIPTION	SERIAL NUMBER / REMARKS
103 - 26	FC1-1013-000		1	CLUTCH, MECHANICAL	
27	FH7-5272-000		1	CLUTCH, ELECTROMAGNETIC	CL1 J25
28	FS2-1431-000		2	BUSHING	
29	FS1-1411-000		2	BUSHING	
30	FS4-2651-00P		2	SPRING, TENSION	
501	XD2-1100-642		8	RING,E	
502	XD3-1160-122		1	PIN,SPRING	
503	XB1-2400-805		1	SCREW,MACH.,TRUSS HEAD,M4X8	
504	XB6-7400-609		2	SCREW,TP,M4X6	
505	XB1-2400-609		AR	SCREW,MACH.,TRUSS HEAD,M4X6	
506	XD3-1160-142		1	PIN,SPRING	
507	XD2-2100-802		1	RING,GRIP	

# FIGURE 104 MACHINE REAR PLATE

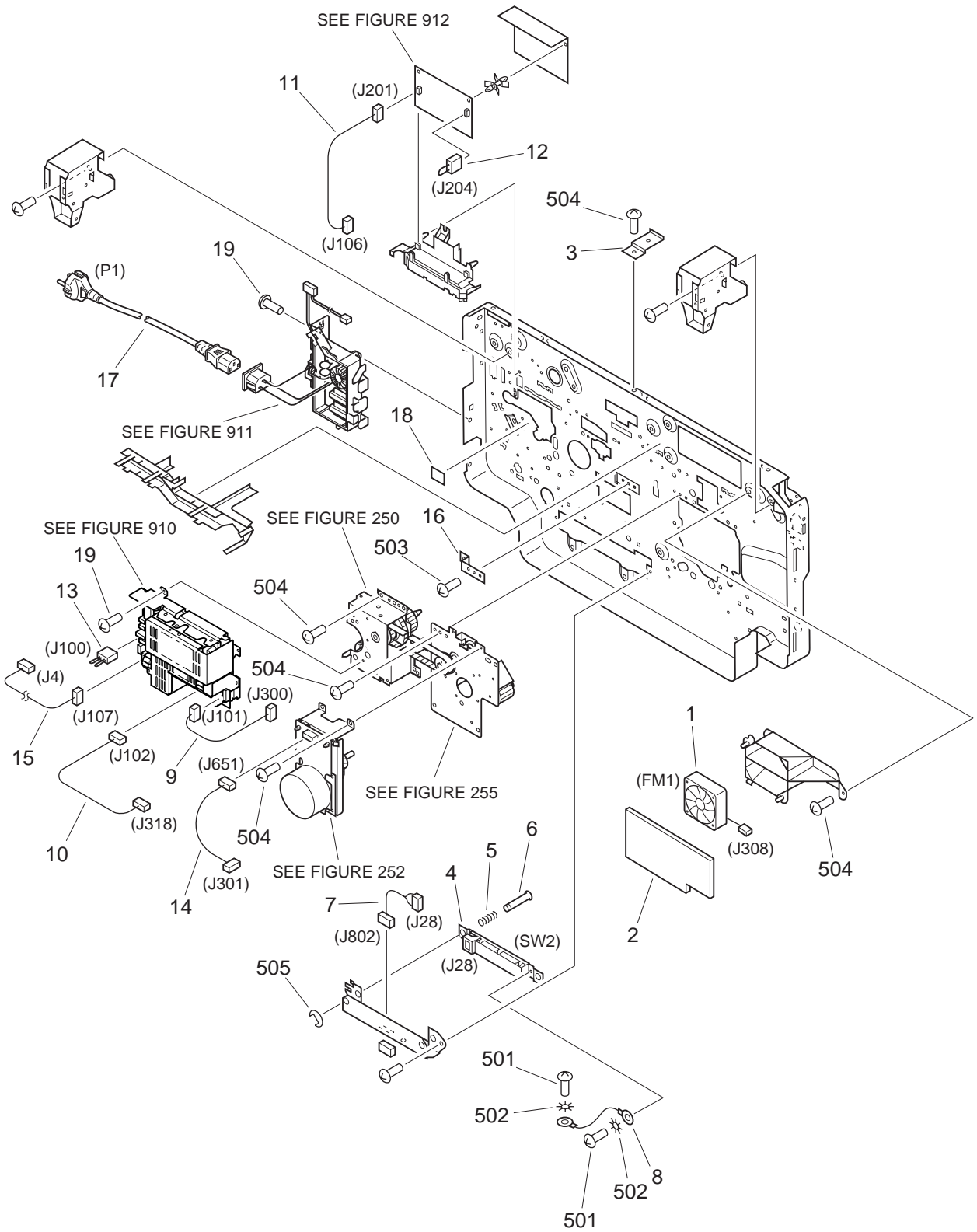


FIGURE & KEY NO.	PART NUMBER	R A N K	Q T Y	DESCRIPTION	SERIAL NUMBER / REMARKS
104 -	NPN		RF	MACHINE REAR PLATE	
1	FH0-0093-00P		1	FAN	FM1 J308
2	FA0-0339-00P		1	FILTER, DUST-PROOF	
3	FA5-2066-000		1	PLATE, GLASS, HOLDER	
4	FH7-6113-020		1	PUSH SWITCH ASSEMBLY	SW2 J28
5	FS4-2658-00P		2	SPRING, COMPRESSION	
6	FC2-9755-00P		2	PIN	
7	FG3-0463-00P		1	CABLE,CASSETTE SIZE SENSING	J28,802
8	FH0-0199-00P		1	WIRE, GROUNDING	
9	FG3-0422-00P		1	POWER SUPPLY HARNESS 1	J101,300
10	FG3-0423-00P		1	POWER SUPPLY HARNESS 2	J102,318
11	FG3-0432-00P		1	CABLE, LAMP REGULATOR	J106,201
12	FG3-0457-00P		1	SHORT CONNECTOR	J204
13	FG3-0440-00P		1	SHORT CONNECTOR	J100
14	FG3-0433-00P		1	CABLE, MAIN MOTOR	J301,651
15	FG3-0458-00P		1	CABLE, FIXING HEATER	J4,107
16	FA6-5605-000		1	PLATE, STOP, CLUTCH	
17	FH2-5761-020		1	CORD, POWER	P1
18	FS9-0151-00P		1	LABEL, "WARNING, HIGH VOLTAGE"	
19	FA9-2105-000		AR	SCREW, W/TOOTHED WASHER	
501	XB1-2300-409		2	SCREW,MACH.,TRUSS HEAD,M3X4	
502	XD1-4200-302		2	WASHER,TOOTHED LOCK	
503	XB6-7400-609		7	SCREW,TP,M4X6	
504	XB1-2400-609		AR	SCREW,MACH.,TRUSS HEAD,M4X6	
505	XD2-1100-502		2	RING,E	

# FIGURE 105 MACHINE BOTTOM PLATE

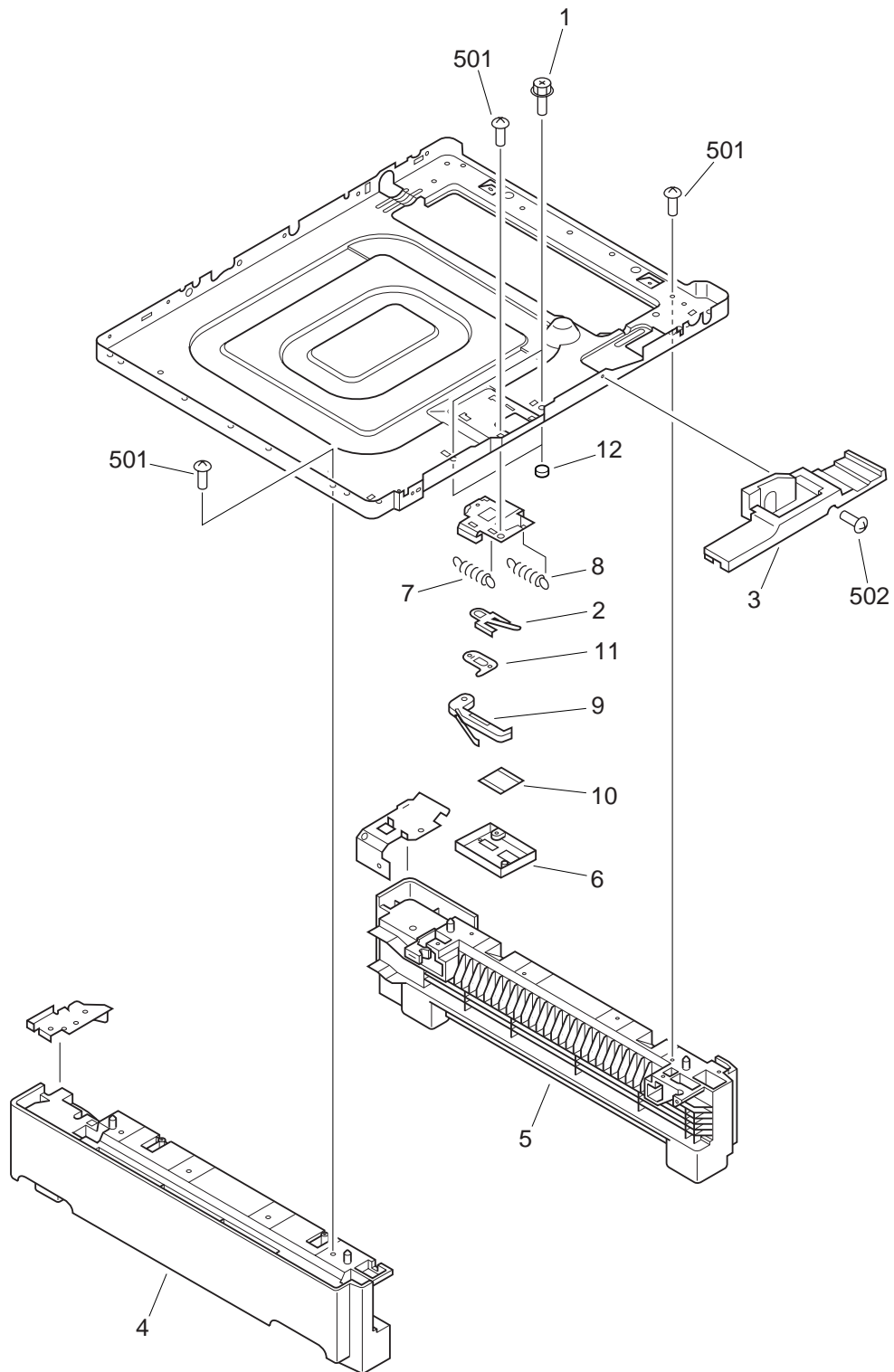


FIGURE & KEY NO.	PART NUMBER	R A N K	Q T Y	DESCRIPTION	SERIAL NUMBER / REMARKS
105 -	NPN		RF	MACHINE BOTTOM PLATE	
1	XA9-0628-000		2	SCREW,RS,M4X8	
2	FA0-0705-00P		1	SPRING, LEAF	
3	FC1-1015-00P		1	COVER, INNER, 2	
4	FF3-3709-00P		1	FOOT, LEFT	
5	FF3-3708-00P		1	FOOT, RIGHT	
6	FC1-0901-00P		1	COVER, CASSETTE STOPPER	
7	FS4-2035-00P		1	SPRING, TENSION	
8	FS4-2034-00P		1	SPRING, TENSION	
9	FC1-0898-00P		1	HOOK	
10	FC1-0899-00P		1	CAM	
11	FC1-9002-00P		1	LEVER, CAM	
12	FC2-9935-00P		2	COVER, SCREW	
501	XB4-7401-209		9	SCREW,TAPPING,TRUSS HEAD,M4X12	
502	XB1-2400-609		1	SCREW,MACH.,TRUSS HEAD,M4X6	

# FIGURE 130 CONTROL PANEL ASSEMBLY

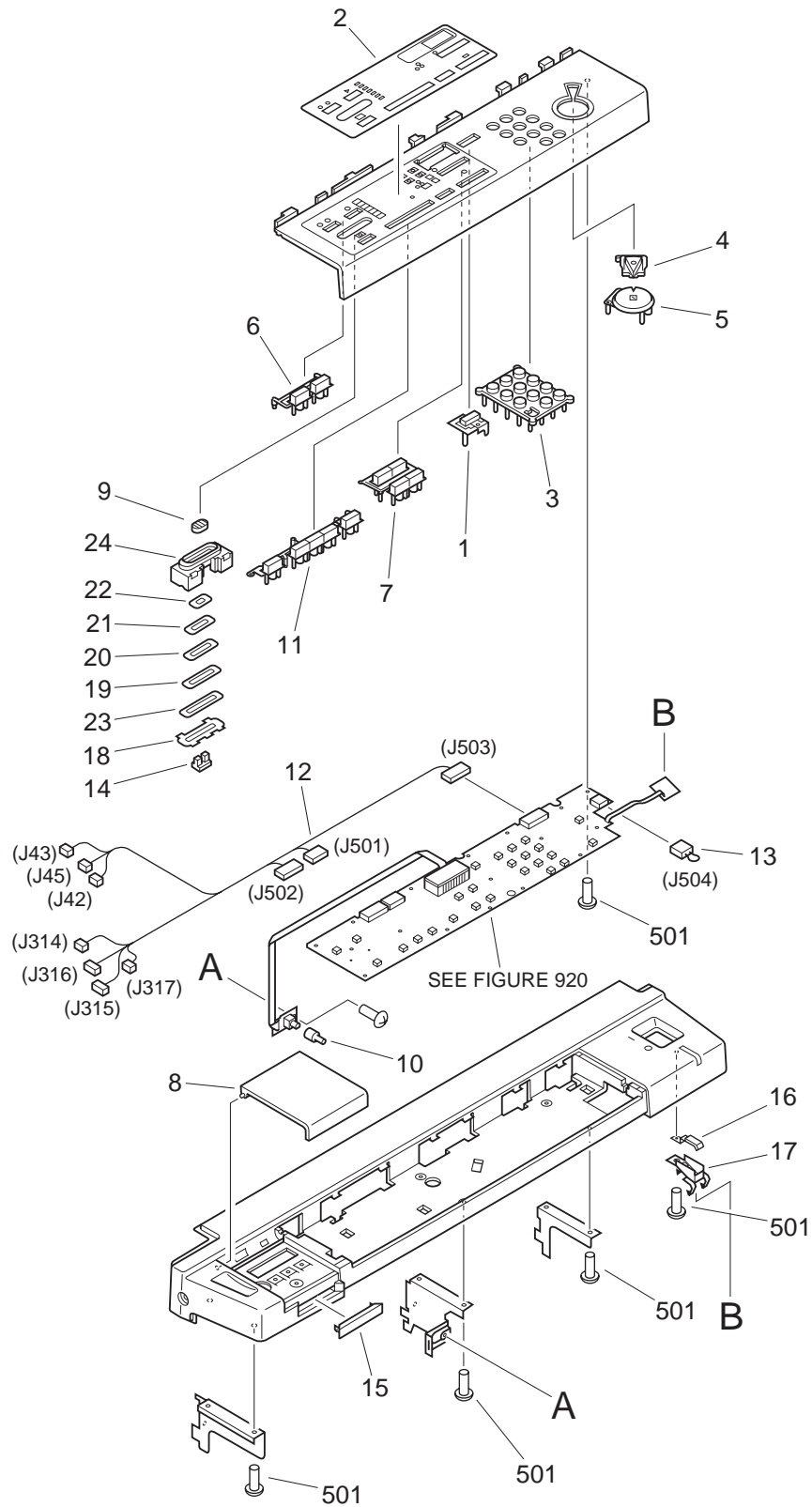


FIGURE & KEY NO.	PART NUMBER	R A N K	Q T Y	DESCRIPTION	SERIAL NUMBER / REMARKS
130 -	FG3-0349-00P		1	CONTROL PANEL ASSEMBLY	
1	FC2-8866-00P		1	KEY TOP, RESET	
2	FC2-9845-00P		1	LABEL, OPERATION PANEL	
3	FC2-9846-00P		1	KEY TOP, NUMBERS	
4	FC2-9847-00P		1	KEY TOP, CLEAR/STOP	
5	FC2-9848-00P		1	KEY TOP, PRINT	
6	FC2-9849-00P		1	KEY TOP, START/PAGE	
7	FC2-9852-00P		1	KEY TOP, ZOOM	
8	FA0-0664-00P		1	COVER, CONTROL CARD	
9	FA0-0668-00P		1	KNOB, BIAS ADJUSTING	
10	FC1-1010-00P		1	KNOB	
11	FC2-9853-00P		1	KEY TOP, AE/CASSETTE	
12	FG3-0438-00P		1	CONTROL PANEL CABLE ASSEMBLY	J42,43,45,314-317
13	FG2-9098-00P		1	PLUG, KEYBOARD	J501-503
14	FC1-5382-00P		1	ADAPTER, RESISTOR	J504
15	FC1-5386-00P		1	COVER	
16	FC1-5387-00P		1	GLASS, LED ON/OFF	
17	FC1-5388-00P		1	REFLECTOR, LED ON/OFF	
18	FC1-5389-00P		1	DUST SHIELD, 1	
19	FC1-5390-00P		1	DUST SHIELD, 2	
20	FC1-5391-00P		1	DUST SHIELD, 3	
21	FC1-5392-00P		1	DUST SHIELD, 4	
22	FC1-5393-00P		1	DUST SHIELD, 5	
23	FC1-5394-00P		1	DUST SHIELD	
24	FC1-5384-00P		1	FRAME, RESISTOR	
501	XB1-2300-809		29	SCREW, MACH., TRUSS HEAD, M3X8	

# FIGURE 160 COPYBOARD COVER ASSEMBLY

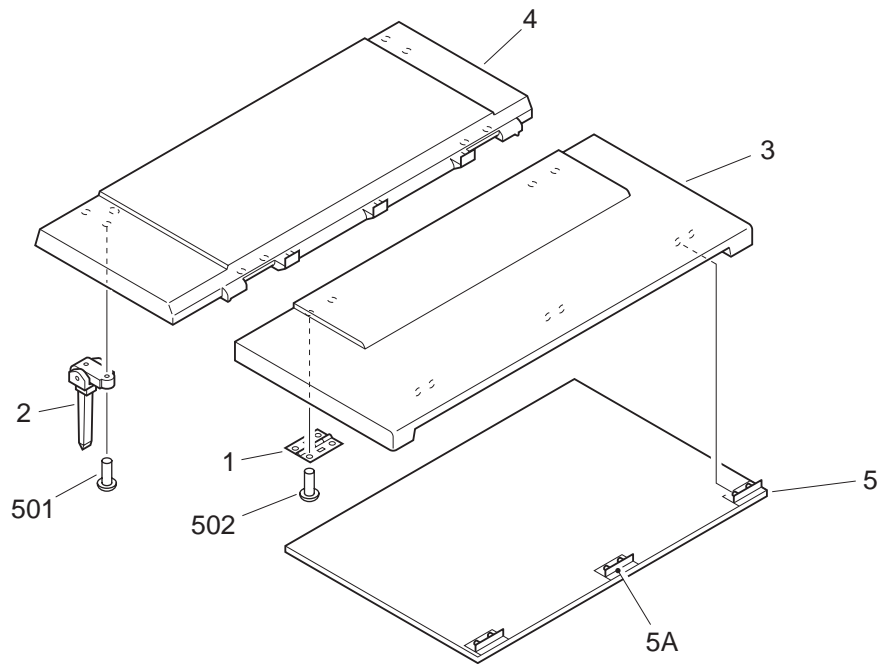
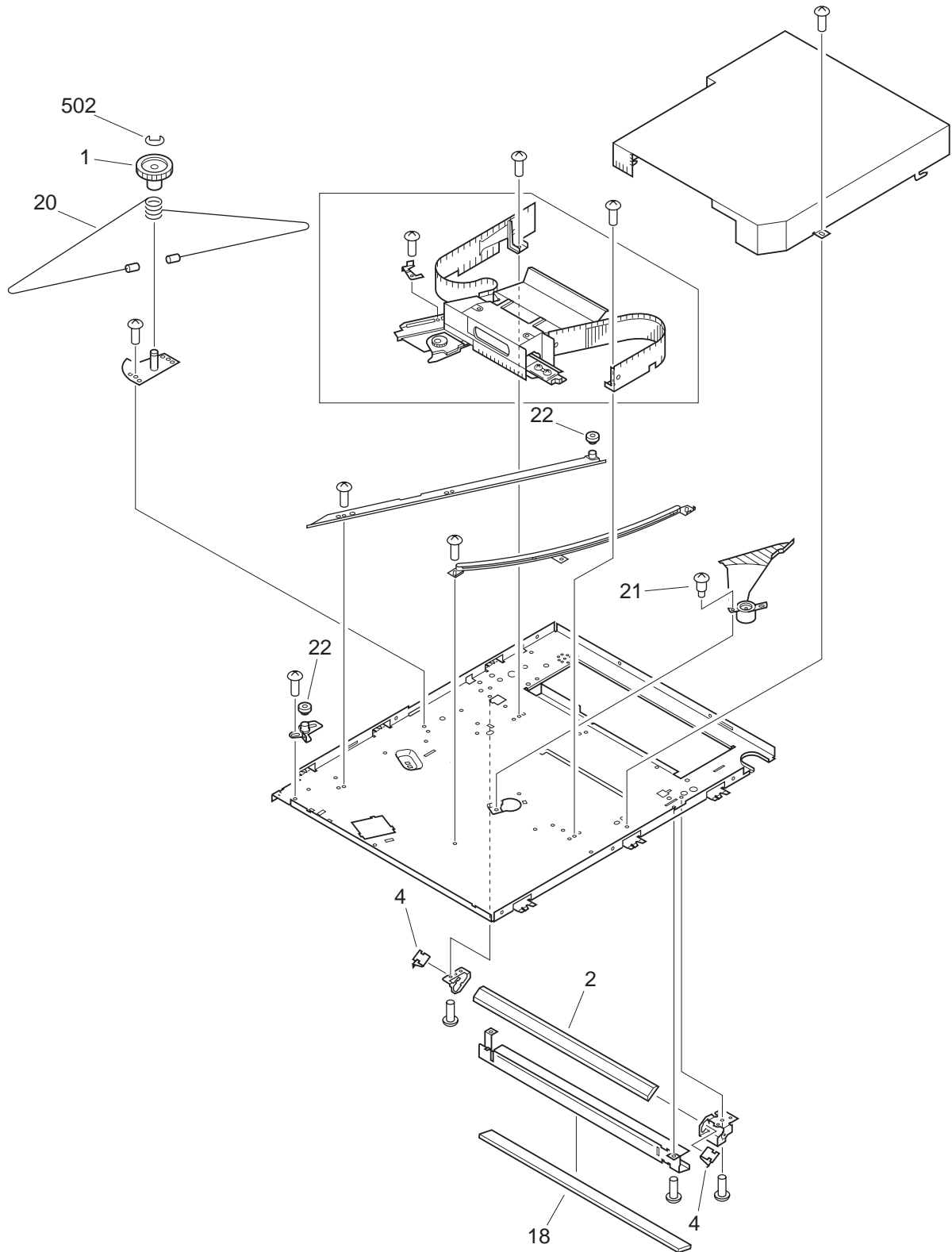


FIGURE & KEY NO.	PART NUMBER	RANK	QTY	DESCRIPTION	SERIAL NUMBER / REMARKS
160 -	FG5-1974-050		1	COPYBOARD COVER ASSEMBLY	
1	FA5-1185-000		2	PLATE, HINGE	
2	FA6-5650-000		2	HINGE, COPYBOARD COVER	
3	FB1-8771-020		1	COVER, COPYBOARD, FRONT	
4	FB1-8772-030		1	COVER, COPYBOARD, REAR	
5	FF2-3941-020		1	COPYBOARD COVER CUSHION ASS'Y	
5A	FA3-9055-000		3	PLATE, CUSHION MOUNTING	
501	XB1-2401-609		4	SCREW, MACH., TRUSS HEAD, M4X16	
502	XB4-7401-009		8	SCREW, TAPPING, TRUSS HEAD, M4X10	



FIGURE 210 LENS MOUNT ASSEMBLY (1/2)



# FIGURE 210 LENS MOUNT ASSEMBLY (2/2)

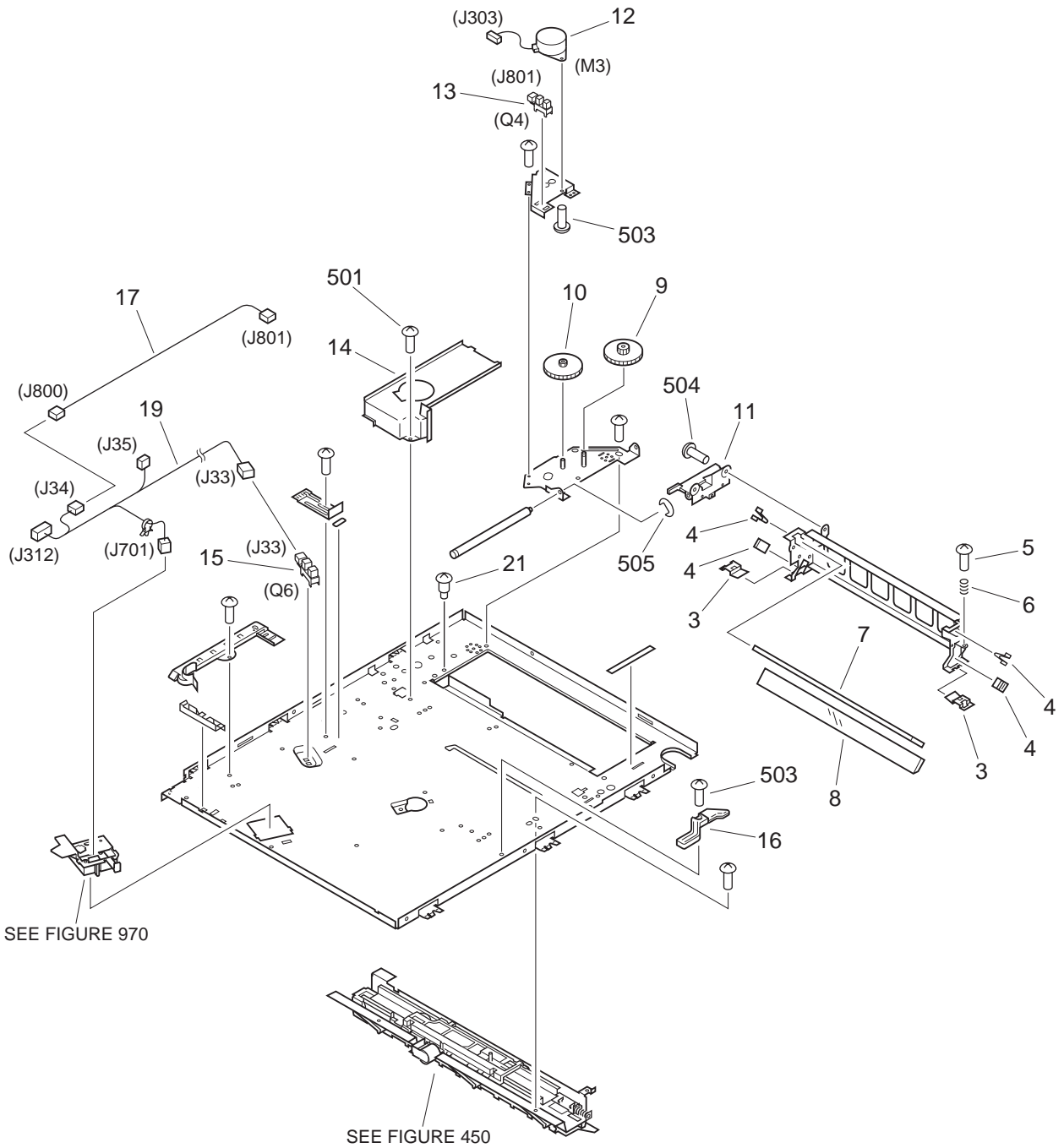


FIGURE & KEY NO.	PART NUMBER	R A N K	Q T Y	DESCRIPTION	SERIAL NUMBER / REMARKS
210 -	NPN		RF	LENS MOUNT ASSEMBLY	
1	FS2-0866-000		1	GEAR, 54T	
2	FN1-4415-00P		1	MIRROR, 6	
3	FC2-9816-00P		2	RETAINER, MIRROR	
4	FC2-9818-00P		6	SPRING, LEAF	
5	FC2-9819-00P		1	SCREW, HEIGHT ADJUSTING	
6	FS4-2654-00P		2	SPRING, COMPRESSION	
7	FN1-4416-00P		1	MIRROR, 4	
8	FN1-4417-00P		1	MIRROR, 5	
9	FS4-0563-00P		1	GEAR, 18T/82T	
10	FS4-0564-00P		1	GEAR, 20T/82T	
11	FC2-9820-00P		1	RACK	
12	FH6-1704-00P		1	MOTOR, STEPPING, DC24V	M3 J303
13	FH0-0055-00P		1	PHOTO-INTERRUPTER	Q4 J801
14	FC2-9830-00P		1	COVER, MIRROR DRIVE MOTOR	
15	WG8-5187-000		1	PHOTO-INTERRUPTER, GP1AQ72A	Q6 J33
16	FF3-2888-00P		1	BLOCK, MIRROR CLEANING	
17	FG3-0464-00P		1	CABLE, MIRROR DRIVE	J800,801
18	FN1-4216-000		1	GLASS, DUSTPROOF	
19	FG3-0427-00P		1	CABLE, OPTICAL	J33-35,312,701
20	FC2-9794-00P		1	WIRE, LENS	
21	FS1-9120-000		2	SCREW, STEPPED, M3	
22	FC2-9807-00P		2	PULLEY	
501	XB1-2400-609		4	SCREW, MACH., TRUSS HEAD, M4X6	
502	XD2-1100-642		1	RING, E	
503	XB1-2300-609		19	SCREW, MACH., TRUSS HEAD, M3X6	
504	XB6-7300-609		5	SCREW, TP, M3X6	
505	XD2-1100-402		1	RING, E	

# FIGURE 220 SCANNER DRIVE ASSEMBLY

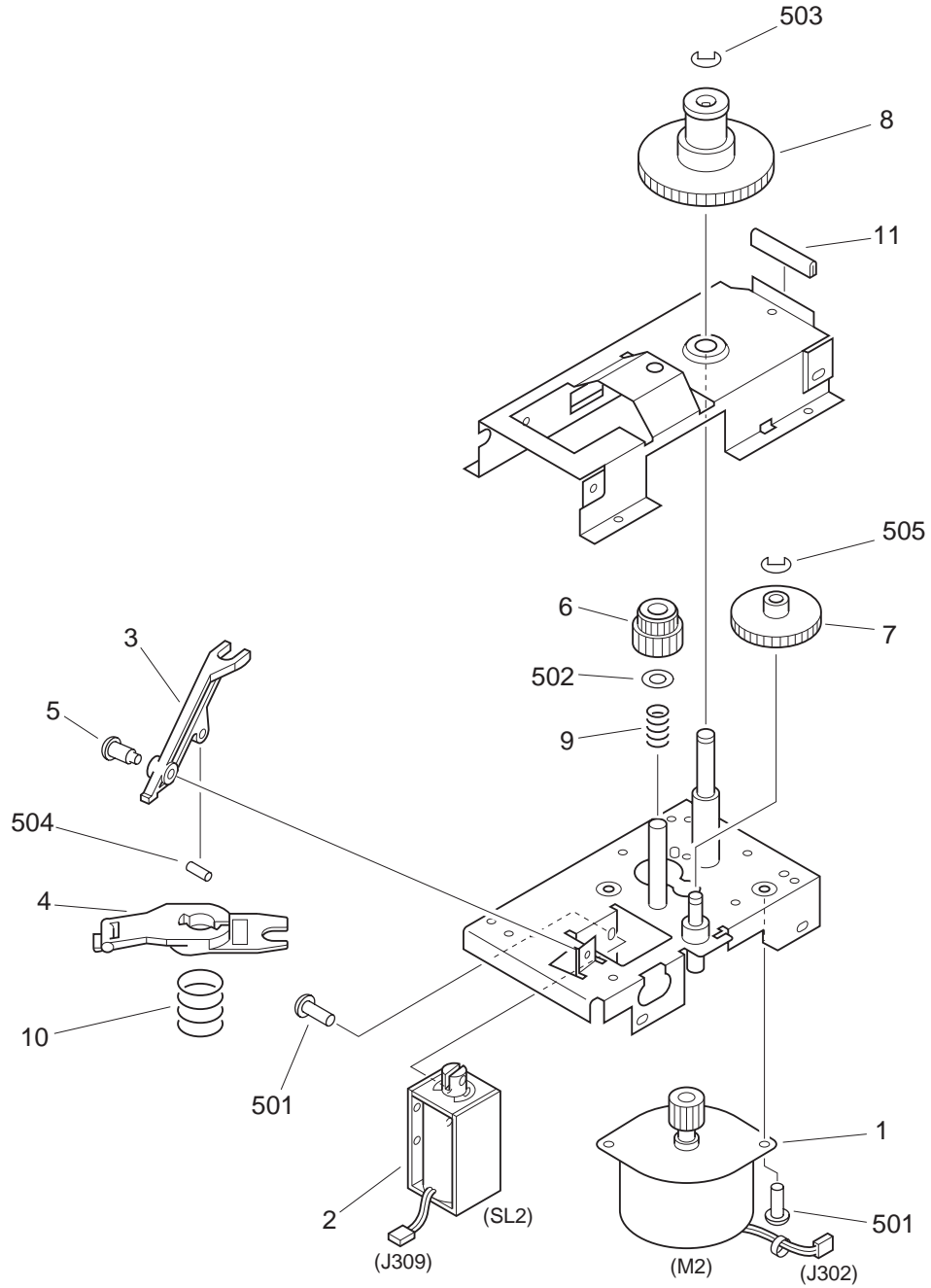


FIGURE & KEY NO.	PART NUMBER	R A N K	Q T Y	DESCRIPTION	SERIAL NUMBER / REMARKS
220 -	FG2-2986-01P		1	SCANNER DRIVE ASSEMBLY	
1	FH0-0065-01P		1	MOTOR, STEPPING, DC24V	M2 J302
2	FH7-5142-000		1	SOLENOID, DC24V	SL2 J309
3	FA5-1656-000		1	ARM, CHANGING	
4	FF2-5601-00P		1	LEVER, BRAKE	
5	FS1-9073-000		1	SCREW, STEPPED, M4	
6	FS2-0867-000		1	GEAR 25T/20T	
7	FS2-0868-000		1	GEAR 48T	
8	FS2-0869-000		1	GEAR 72T	
9	FS2-2766-000		1	SPRING, COMPRESSION	
10	FS2-2767-000		1	SPRING, COMPRESSION	
11	FB3-4594-00P		1	PROTECTOR, EDGE	
501	XB1-2300-409		8	SCREW, MACH., TRUSS HEAD, M3X4	
502	XD1-1108-229		1	SHIM	
503	XD2-1100-642		1	RING, E	
504	XD3-2300-162		1	PIN, DOWEL	
505	XD2-1100-502		1	RING, E	

# FIGURE 250 DRUM DRIVE ASSEMBLY

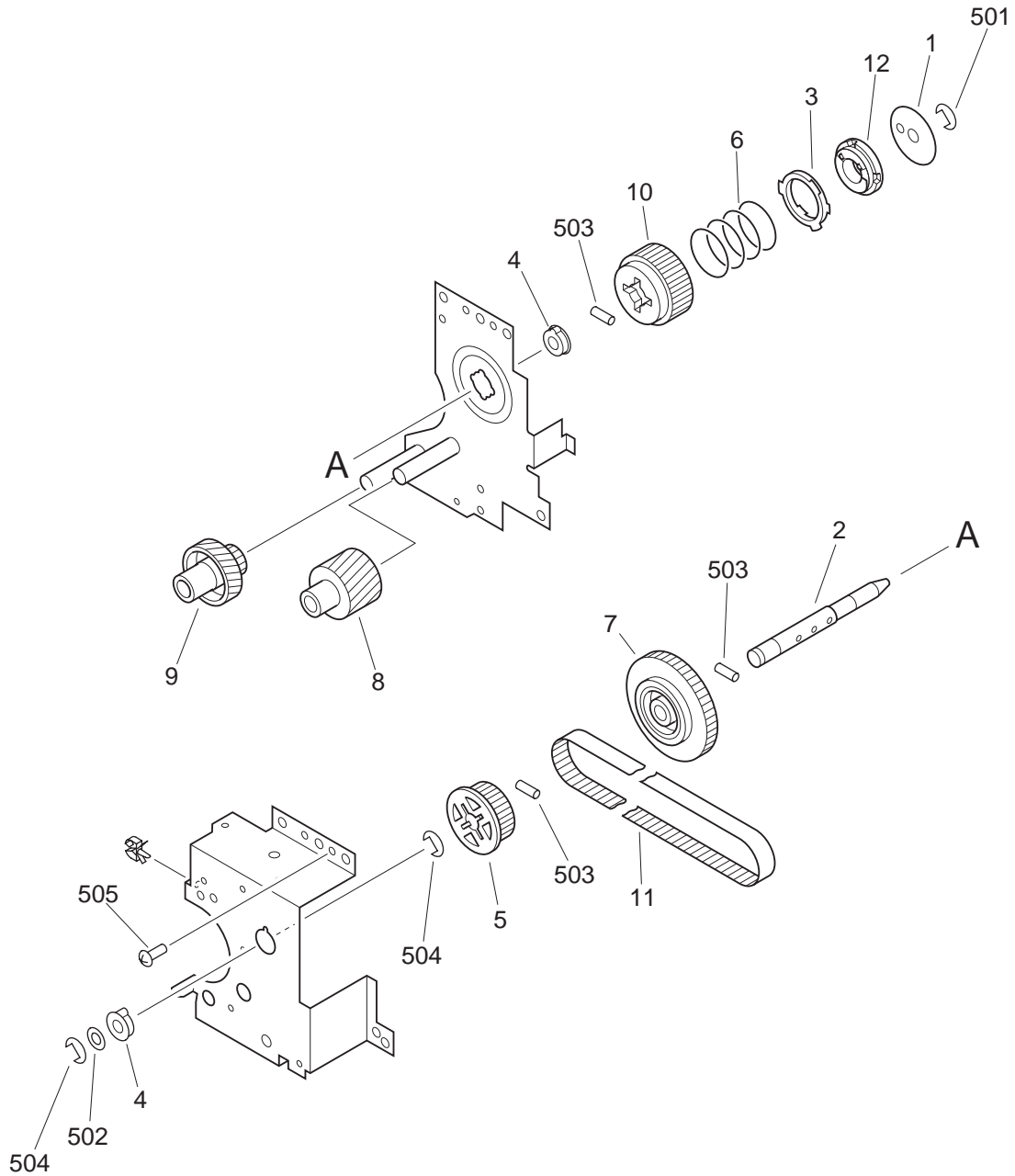


FIGURE & KEY NO.	PART NUMBER	R A N K	Q T Y	DESCRIPTION	SERIAL NUMBER / REMARKS
250 -	FG3-0357-00P		1	DRUM DRIVE ASSEMBLY	
1	FA5-1988-000		1	PLATE, REINFORCEMENT	
2	FA5-1983-000		1	SHAFT, DRUM DRIVE	
3	FA5-1984-000		1	RING	
4	FS1-1189-000		2	BUSHING	
5	FS1-3293-000		1	PULLEY, 30T	
6	FS2-2770-000		1	SPRING, COMPRESSION	
7	FS2-0878-000		1	GEAR, 60T	
8	FS1-0036-00P		1	GEAR, 29T	
9	FS1-0037-00P		1	GEAR, 17T/34T	
10	FS2-0881-020		1	GEAR, 40T	
11	XF9-0210-000		1	BELT, TIMING	
12	FF1-9414-020		1	DISK, DRUM DRIVE	
501	XD2-1100-502		1	RING,E	
502	XD1-1108-225		1	SHIM	
503	XD3-2200-162		3	PIN,DOWEL	
504	XD2-1100-642		2	RING,E	
505	XB1-2300-609		1	SCREW,MACH.,TRUSS HEAD,M3X6	

# FIGURE 252 MAIN MOTOR ASSEMBLY

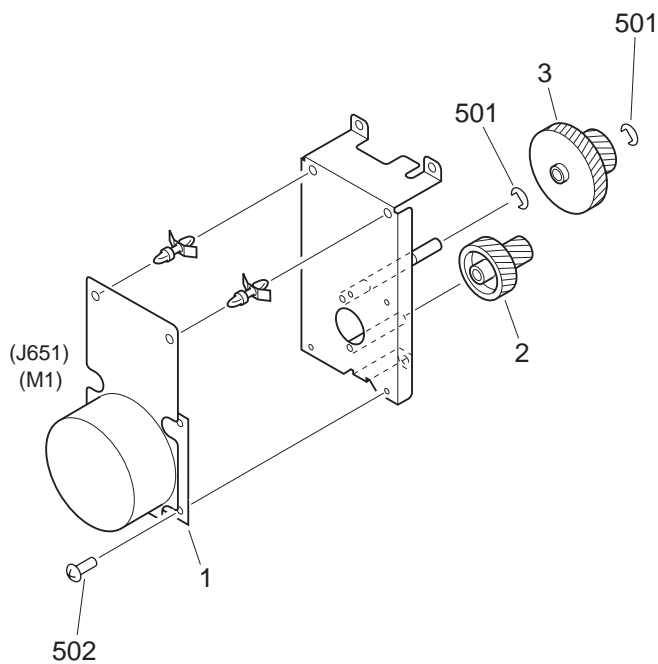


FIGURE & KEY NO.	PART NUMBER	RANK	QTY	DESCRIPTION	SERIAL NUMBER / REMARKS
252 -	FG3-0355-00P		1	MAIN MOTOR ASSEMBLY	
1	FH6-1607-000		1	MOTOR, DC24V	M1 J651
2	FS4-0558-00P		1	GEAR, 56T/16T	
3	FS4-0559-00P		1	GEAR, 59T/21T	
501	XD2-1100-502		2	RING,E	
502	XB1-2300-609		4	SCREW,MACH.,TRUSS HEAD,M3X6	



# FIGURE 255 MAIN DRIVE ASSEMBLY

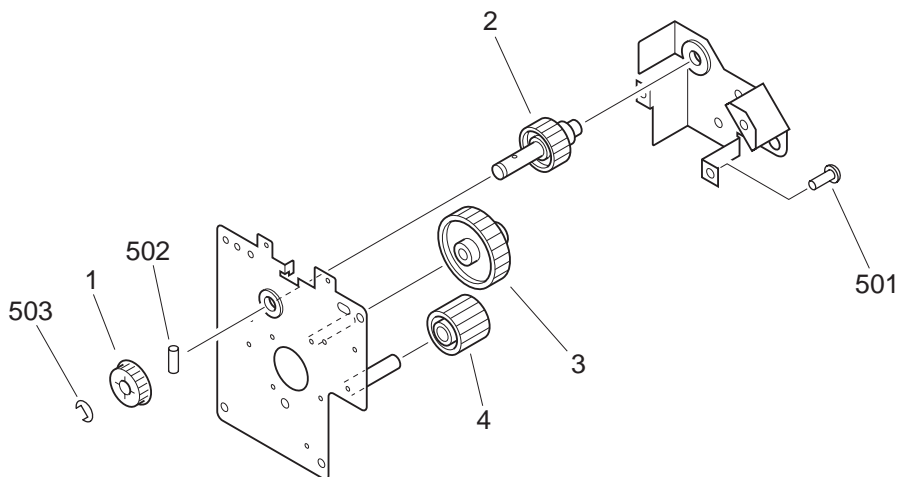


FIGURE & KEY NO.	PART NUMBER	RANK	QTY	DESCRIPTION	SERIAL NUMBER / REMARKS
255 -	FG3-0338-00P		1	MAIN DRIVE ASSEMBLY	
1	FS1-3293-000		1	PULLEY, 30T	
2	FS4-0560-00P		1	GEAR, 25T	
3	FS4-0561-00P		1	GEAR, 47T	
4	FS4-0562-00P		1	GEAR, 25T	
501	XB6-7400-609		3	SCREW,TP,M4X6	
502	XD3-2200-162		1	PIN,DOWEL	
503	XD2-1100-642		1	RING,E	

# FIGURE 265 MULTI FEED DRIVE ASSEMBLY

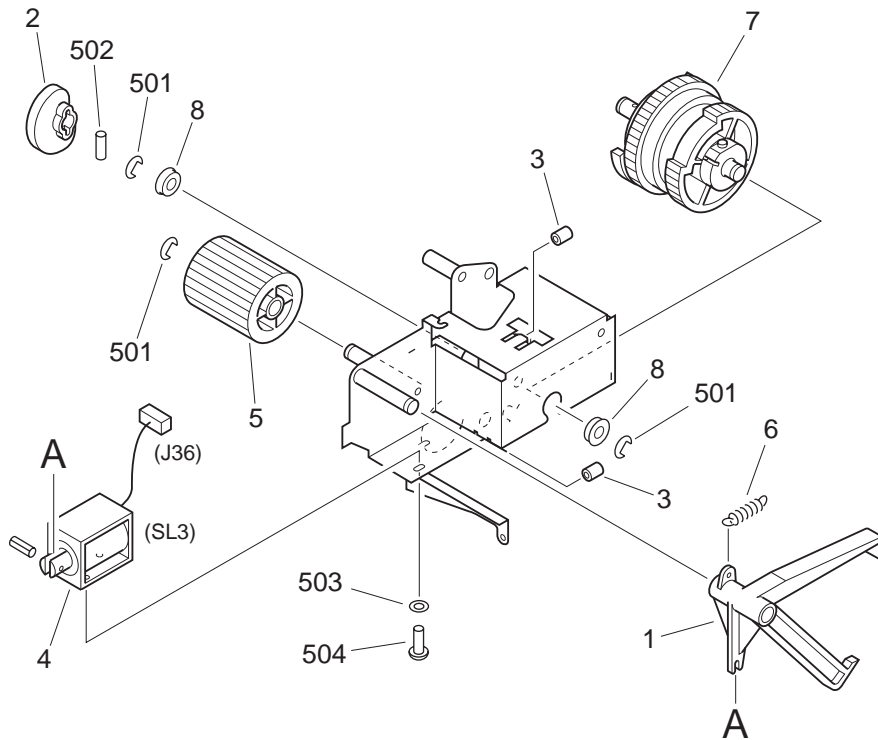


FIGURE & KEY NO.	PART NUMBER	RANK	QTY	DESCRIPTION	SERIAL NUMBER / REMARKS
265 -	FG3-0337-00P		1	MULTI FEED DRIVE ASSEMBLY	
1	FC2-9759-00P		1	LINK, SOLENOID	
2	FC2-9875-00P		1	CAM	
3	FC2-9905-00P		2	CUSHION	
4	FH7-5903-00P		1	SOLENOID, DC24V	SL3 J36
5	FS4-0557-00P		1	GEAR, 24T	
6	FS4-2652-00P		1	SPRING, TENSION	
7	FG3-0346-00P		1	CLUTCH UNIT	
8	FS2-1667-000		2	BUSHING	
501	XD2-1100-502		3	RING,E	
502	XD3-2200-102		1	PIN,DOWEL	
503	XD1-2100-305		2	WASHER,PLAIN	
504	XB1-2300-309		2	SCREW,MACH.,TRUSS HEAD,M3X3	

# FIGURE 300 CASSETTE

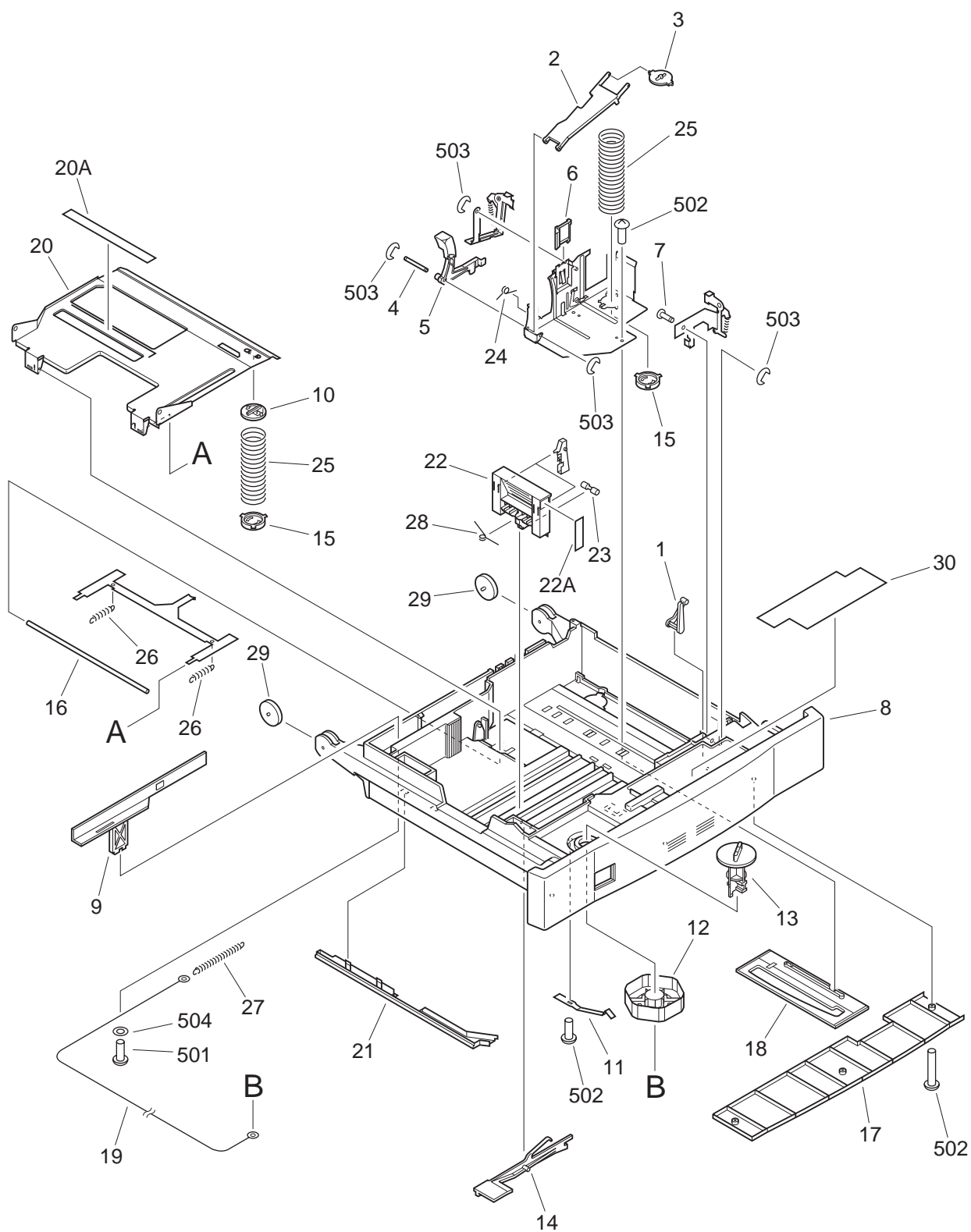


FIGURE & KEY NO.	PART NUMBER	R A N K	Q T Y	DESCRIPTION	SERIAL NUMBER / REMARKS
300 -	FG3-0328-00P	N	1	CASSETTE	
1	FC2-9700-00P		1	LEVER	
2	FC2-9701-00P		1	ARM, SPRING HOLD	
3	FC2-9702-00P		1	HOLDER, SPRING, REAR	
4	FC2-9703-00P		1	PIN, CONTROL LEVER	
5	FC2-9704-00P		1	LEVER, ADJUSTER RELEASE	
6	FF3-3706-00P		1	PLATE, PAPER END	
7	FA9-1779-000		1	PIN	
8	FC2-9709-00P	N	1	BODY, CASSETTE	
9	FC2-9710-00P		1	FLAG, SIZE SELECTING	
10	FC2-9713-00P		1	HOLDER, SPRING, FRONT	
11	FC2-9859-00P		1	SPRING, LEAF	
12	FC2-9877-00P		1	KNOB, PAPER SIZE SELECTING	
13	FC2-9878-00P		1	HANDLE, SIZE SELECTING	
14	FC2-9879-00P		1	LEVER, LOAD, A3	
15	FC2-9880-00P		2	HOLDER, SPRING, LOWER	
16	FC2-9881-00P		1	ROD	
17	FC2-9882-00P		1	COVER, LOWER	
18	FC2-9895-00P		1	CAM, LOAD ADJUSTING	
19	FC2-9912-00P		1	WIRE, SIZE CHANGE	
20	FF3-3667-00P		1	PLATE, LIFTING	
20A	FS9-0152-00P		1	LABEL, PAPER SIZE	
21	FC2-9915-00P		1	SIDE COVER, CASSETTE	
22	FF3-3699-00P		1	PLATE, SIDE ADJUSTING, LEFT	
22A	FS9-0154-00P		1	LABEL, MAXIMUM LOAD	
23	FC2-9687-00P		1	PIN, SIDE ADJUSTING	
24	FS4-2646-00P		1	SPRING, TORSION	
25	FS4-2647-00P		2	SPRING, COMPRESSION	
26	FS4-2648-00P		2	SPRING, TENSION	
27	FS4-2655-00P		1	SPRING, TENSION	

FIGURE & KEY NO.	PART NUMBER	R A N K	Q T Y	DESCRIPTION	SERIAL NUMBER / REMARKS
300 - 28	FS4-2656-00P		1	SPRING, TORSION	
29	FC1-0782-00P		2	PULLEY	
30	FS9-0153-00P		1	LABEL, INSTRUCTION	
501	XB4-7300-609		1	SCREW, TAPPING, TRUSS HEAD, M3X6	
502	XB4-7401-009		4	SCREW, TAPPING, TRUSS HEAD, M4X10	
503	XD2-1100-402		5	RING, E	
504	XD1-2100-305		1	WASHER, PLAIN	

# FIGURE 310 MULTI FEEDER ASSEMBLY

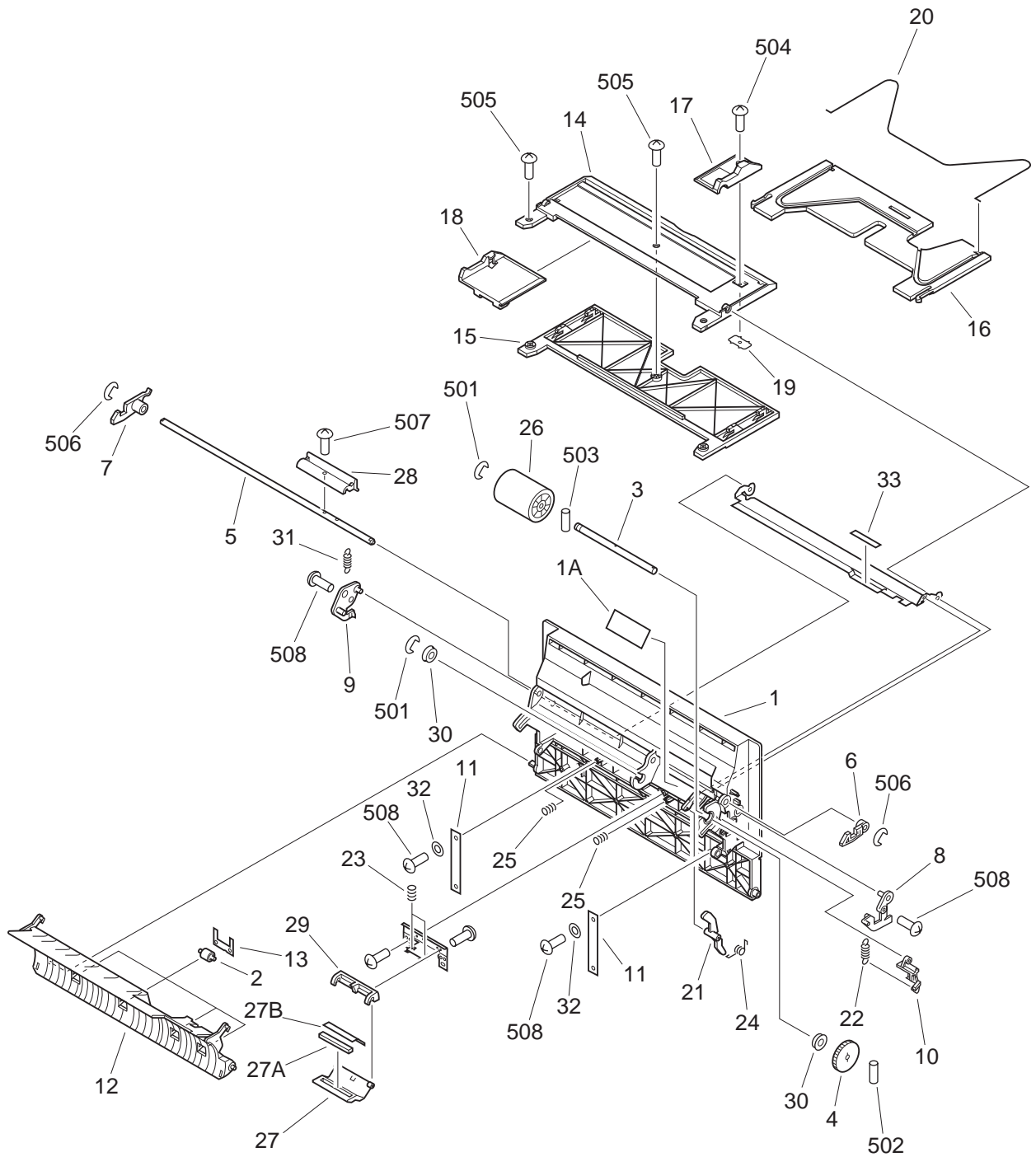


FIGURE & KEY NO.	PART NUMBER	R A N K	Q T Y	DESCRIPTION	SERIAL NUMBER / REMARKS
310 -	FG3-0333-00P		1	MULTI FEEDER ASSEMBLY	
1	FF3-3704-00P		1	DOOR, MULTI FEEDER	
1A	FC2-9914-00P		1	SHEET	
2	FC1-0772-00P		4	ROLLER	
3	FC2-9723-00P		1	SHAFT, FEEDER	
4	FC2-9724-00P		1	GEAR, 35T	
5	FC2-9725-00P		1	SHAFT, HOOK	
6	FC2-9726-00P		1	HOOK, FRONT	
7	FC2-9727-00P		1	HOOK, REAR	
8	FC2-9728-00P		1	BUSHING, FRONT	
9	FC2-9729-00P		1	BUSHING, REAR	
10	FC2-9731-00P		1	LEVER, LIFTING	
11	FC2-9733-00P		2	STRAP, DOOR	
12	FC2-9735-00P		1	GUIDE, PAPER FEEDING	
13	FC2-9736-00P		4	SPRING, LEAF	
14	FC2-9737-00P		1	TRAY, EXTERNAL	
15	FC2-9738-00P		1	TRAY, UPPER	
16	FC2-9739-00P		1	TRAY, INNER	
17	FF3-3700-00P		1	PLATE, LIMIT, FRONT	
18	FF3-3701-00P		1	PLATE, SIDE LIMIT, MOVABLE	
19	FC2-9743-00P		1	PLATE, SIDE LIMIT, FIXED	
20	FC2-9897-00P		1	GUIDE, TRAY	
21	FC2-9892-00P		1	FLAG, SENSOR	
22	FS4-2650-00P		1	SPRING, TENSION	
23	FS5-2647-000		2	SPRING, COMPRESSION	
24	FB2-6419-000		1	SPRING, TORSION	
25	FS4-2031-00P		2	SPRING, COMPRESSION	
26	FB1-8581-000		1	ROLLER	
27	FF3-3698-00P		1	PAD, SEPARATION	
27A	FC2-9903-00P		1	PAD	

FIGURE & KEY NO.	PART NUMBER	RANK	QTY	DESCRIPTION	SERIAL NUMBER / REMARKS
310 - 27B	FC2-9906-00P		1	SPRING, LEAF	
28	FC2-9861-00P		1	HANDLE	
29	FB2-4512-000		1	HOLDER, PAD SEPARATION, 2	
30	FS1-1462-000		2	BUSHING	
31	FS5-2663-000		1	SPRING, TENSION	
32	FA2-7162-000		2	PLAIN WASHERS	
33	FC1-0771-00P		1	SHEET, TRAY	
501	XD2-1100-642		2	RING,E	
502	XD3-2200-142		1	PIN,DOWEL	
503	XD3-2160-162		1	PIN,DOWEL	
504	XB6-7300-607		1	SCREW,TP,M3X6	
505	XB1-2300-809		3	SCREW,MACH.,TRUSS HEAD,M3X8	
506	XD2-1100-502		2	RING,E	
507	XB1-2400-609		1	SCREW,MACH.,TRUSS HEAD,M4X6	
508	XB4-7300-809		6	SCREW,TAPPING,TRUSS HEAD,M3X8	



# FIGURE 330 FEEDER ASSEMBLY

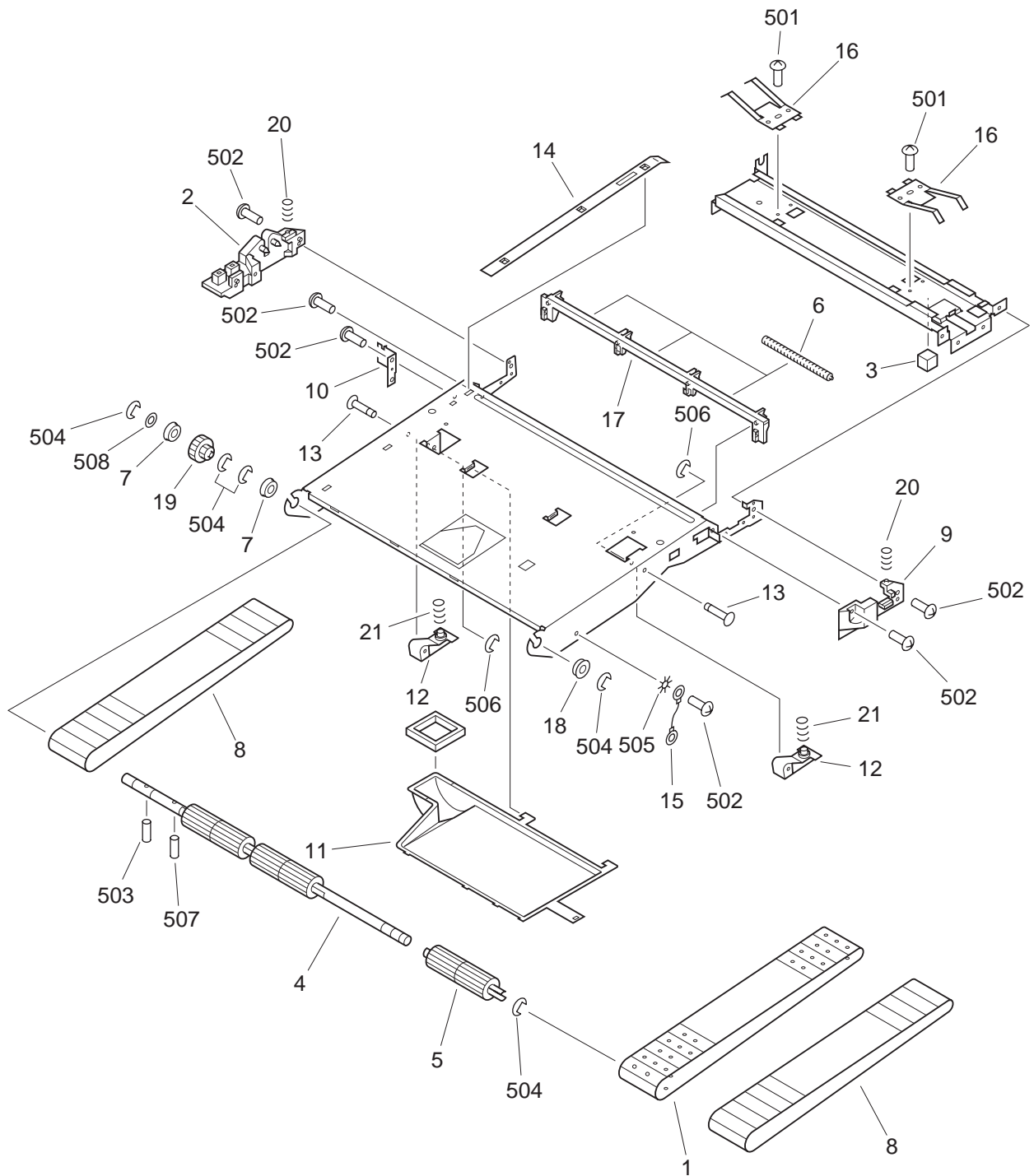


FIGURE & KEY NO.	PART NUMBER	R A N K	Q T Y	DESCRIPTION	SERIAL NUMBER / REMARKS
330 -	FG3-0185-00P		1	FEEDER ASSEMBLY	
1	FA0-0244-00P		1	BELT, FEEDER	
2	FH2-9039-030		1	CONNECTOR, TRANSFER CORONA	
3	FA0-0277-00P		1	CUSHION	
4	FA0-0245-00P		1	SHAFT	
5	FA0-0247-00P		3	PULLEY, DRIVE	
6	FA0-0246-00P		3	PULLEY	
7	FS1-1202-000		2	BUSHING	
8	FA0-0702-00P		2	BELT, FEEDER	
9	FC1-0706-00P		1	PLATE, SIDE, FRONT	
10	FA5-1901-000		1	PLATE, SIDE, REAR	
11	FA0-0249-00P		1	GUIDE, AIR	
12	FA5-1903-000		2	ARM, SPRING	
13	FA5-1904-000		2	ROD, ARM	
14	FA0-0248-00P		1	GUIDE, PAPER	
15	FF2-0666-000		1	CABLE, GROUNDING	
16	FA5-1907-000		2	SPRING, LEAF	
17	FA0-0252-00P		1	GUIDE, PAPER FEED	
18	FS1-1189-000		1	BUSHING	
19	FS2-0887-000		1	GEAR, 20T	
20	FS2-2782-000		2	SPRING, COMPRESSION	
21	FS2-2773-000		2	SPRING, COMPRESSION	
501	XB1-2300-409		2	SCREW,MACH.,TRUSS HEAD,M3X4	
502	XB1-2400-609		9	SCREW,MACH.,TRUSS HEAD,M4X6	
503	XD3-2200-121		1	PIN,DOWEL	
504	XD2-1100-642		5	RING,E	
505	XD1-4200-402		1	WASHER,TOOTHED LOCK	
506	XD2-1100-502		2	RING,E	
507	XD3-2200-162		1	PIN,DOWEL	
508	XD1-1108-225		1	SHIM	

# FIGURE 351 TRANSFER GUIDE ASSEMBLY

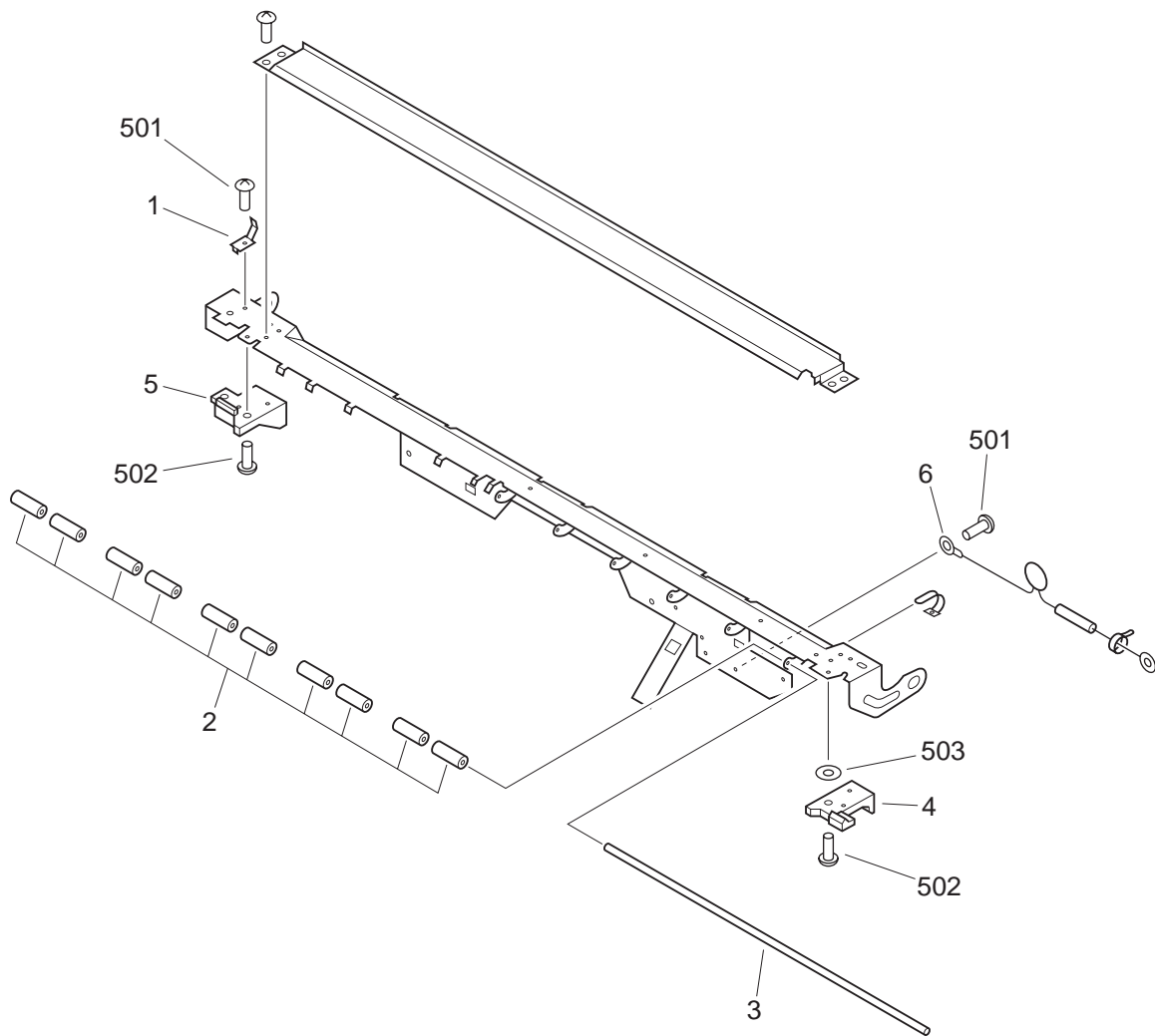


FIGURE & KEY NO.	PART NUMBER	R A N K	Q T Y	DESCRIPTION	SERIAL NUMBER / REMARKS
351 -	FG2-3019-00P		1	TRANSFER GUIDE ASSEMBLY	
1	FC1-0685-00P		1	SPRING, LEAF	
2	FA4-5594-000		10	ROLLER	
3	FA5-1853-000		1	ROD, ROLLER	
4	FA5-1854-000		1	BLOCK, FRONT	
5	FA5-1855-000		1	BLOCK, REAR	
6	FF2-0658-000		1	VARISTOR, 560V	
501	XB1-2300-409		4	SCREW,MACH.,TRUSS HEAD,M3X4	
502	XB1-2300-609		2	SCREW,MACH.,TRUSS HEAD,M3X6	
503	XD1-2100-305		1	WASHER,PLAIN	

# FIGURE 400 MIRROR ASSEMBLY 1

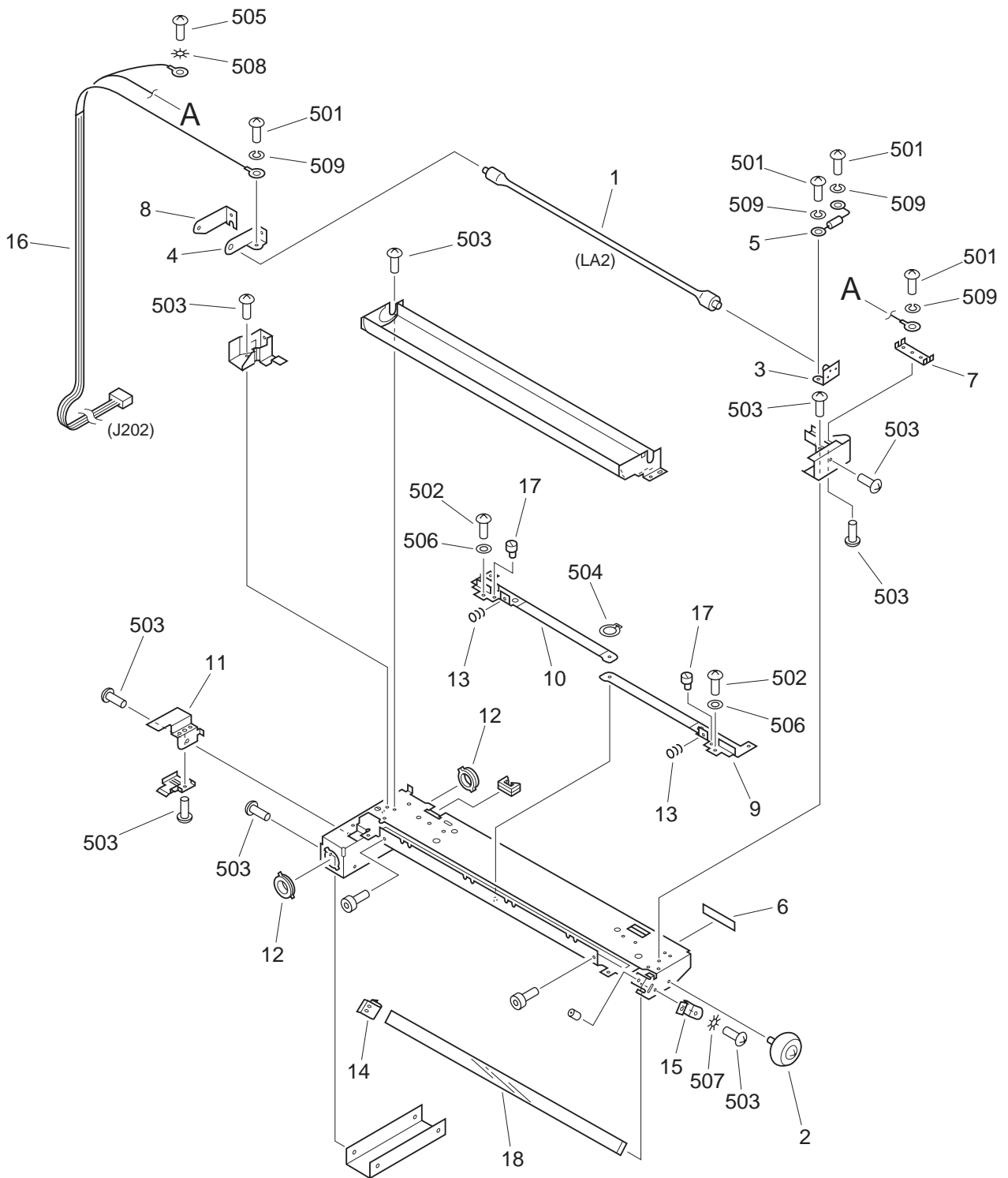


FIGURE & KEY NO.	PART NUMBER	RANK	QTY	DESCRIPTION	SERIAL NUMBER / REMARKS
400 -	FG3-0356-00P		1	MIRROR ASSEMBLY 1	
1	FH7-3114-000		1	HALOGEN LAMP, 175V 330W	LA2
2	XG9-0089-000		1	ROLLER, GUIDE	
3	FF1-9385-000		1	TERMINAL, LAMP, FRONT	
4	FF1-9386-000		1	TERMINAL, LAMP, REAR	
5	FF1-9387-020		1	FUSE, THERMAL, 103C $\beta$	
6	FS4-8107-000		1	LABEL, THERMAL FUSE, 103B $\beta$	
7	FA5-1628-000		1	TERMINAL, FUSE	
8	FA5-1630-000		1	SPRING, LEAF, TERMINAL	
9	FF2-1573-000		1	PLATE, SLIT (A)	
10	FF2-1574-000		1	PLATE, SLIT (B)	
11	FA5-1633-030		1	PLATE, LIGHT-BLOCKING	
12	FC1-3568-00P		2	BUSHING	
13	FS2-2788-000		2	SPRING, COMPRESSION	
14	FA5-1636-000		1	SPRING, LEAF, REAR	
15	FA5-1637-000		1	SPRING, LEAF, FRONT	
16	FG3-0454-00P		1	CABLE, BLANK EXPOSURE LAMP	J202
17	FA5-1650-000		2	SCREW, ADJUSTING	
18	FN1-4419-00P		1	MIRROR 1	
501	XB1-2300-409		5	SCREW, MACH., TRUSS HEAD, M3X4	
502	XB1-2300-309		2	SCREW, MACH., TRUSS HEAD, M3X3	
503	XB1-2300-609		14	SCREW, MACH., TRUSS HEAD, M3X6	
504	XD2-2100-302		1	RING, GRIP	
505	XB1-2400-609		1	SCREW, MACH., TRUSS HEAD, M4X6	
506	XD1-2100-309		2	WASHER, PLAIN	
507	XD1-4200-302		1	WASHER, TOOTHED LOCK	
508	XD1-4200-402		1	WASHER, TOOTHED LOCK	
509	XD1-3100-309		4	WASHER, SPRING	

# FIGURE 401 MIRROR ASSEMBLY 2

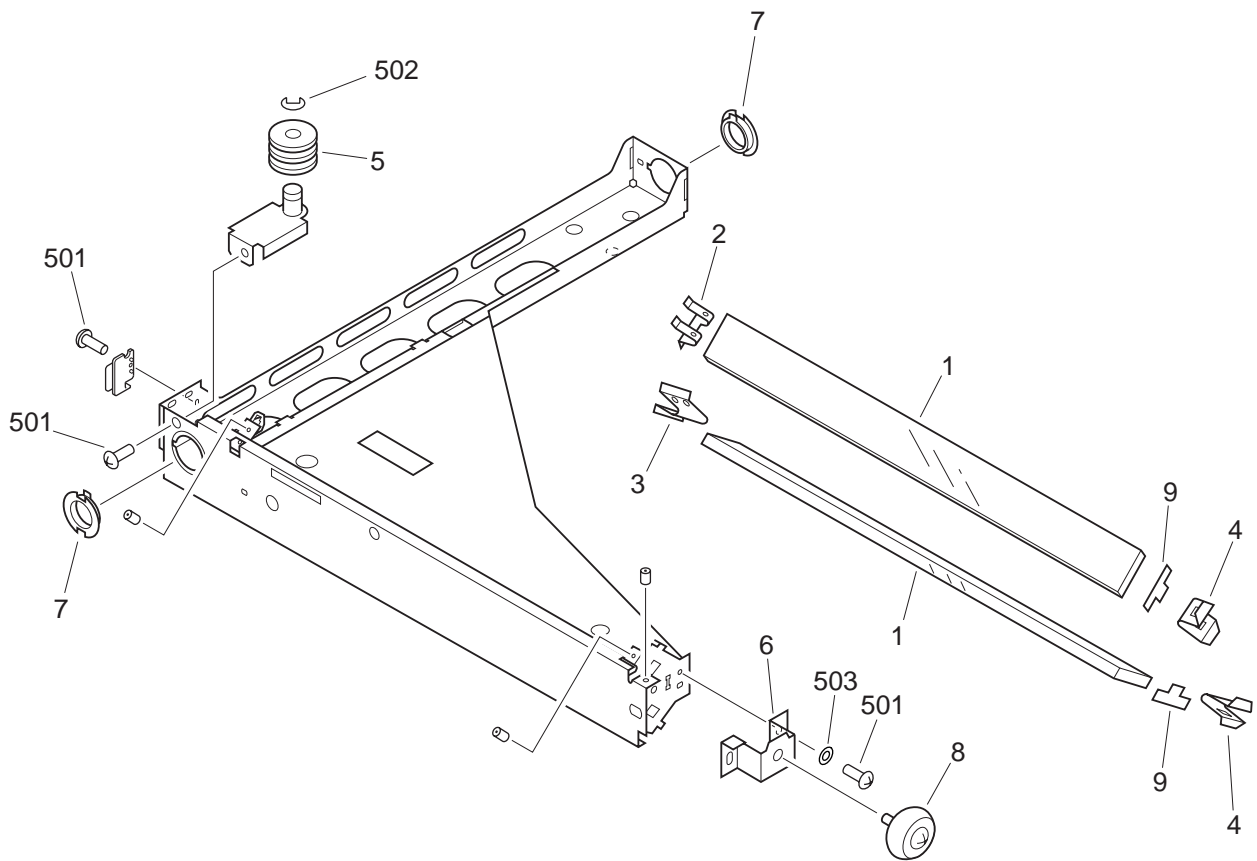


FIGURE & KEY NO.	PART NUMBER	R A N K	Q T Y	DESCRIPTION	SERIAL NUMBER / REMARKS
401 -	FG3-0341-00P		1	MIRROR ASSEMBLY 2	
1	FN1-4418-00P		2	MIRROR, 2/3	
2	FA5-1642-000		1	SPRING, LEAF, 2 REAR	
3	FA5-1643-000		1	SPRING, LEAF, 3 REAR	
4	FA5-1644-000		2	SPRING, LEAF, 2/3 FRONT	
5	FA5-1646-000		1	PULLEY	
6	FA5-1647-000		1	PLATE, ADJUSTING	
7	FC1-3569-00P		2	BUSHING	
8	XG9-0089-000		1	ROLLER, GUIDE	
9	FA9-1783-000		2	SHEET	
501	XB1-2300-609		4	SCREW,MACH.,TRUSS HEAD,M3X6	
502	XD2-1100-642		1	RING,E	
503	XD1-2100-309		1	WASHER,PLAIN	



# FIGURE 450 BLANK EXPOSURE LAMP ASSEMBLY

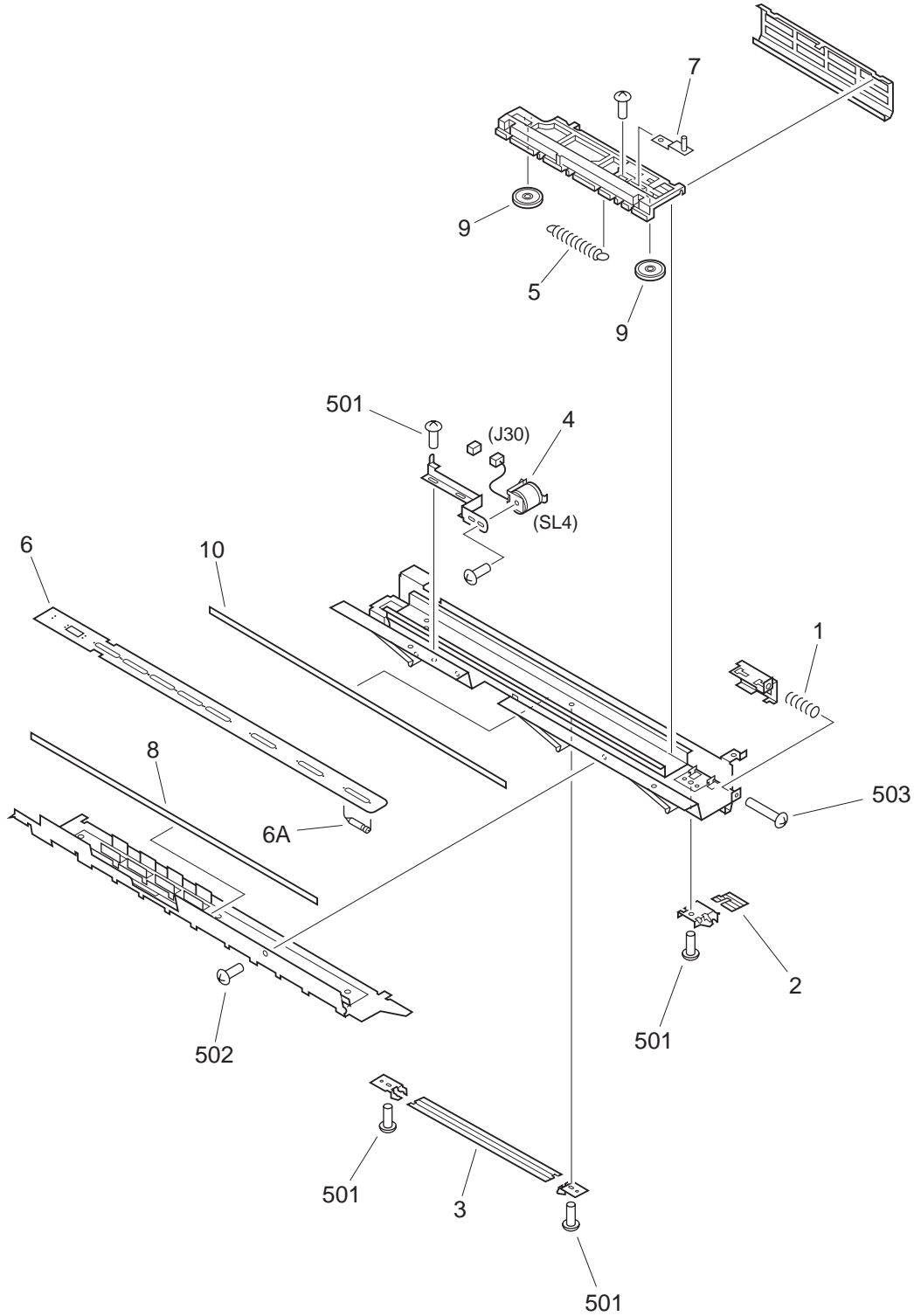


FIGURE & KEY NO.	PART NUMBER	RANK	QTY	DESCRIPTION	SERIAL NUMBER / REMARKS
450 -	FG3-0358-00P		1	BLANK EXPOSURE LAMP ASSEMBLY	
1	FS2-2765-000		1	SPRING, COMPRESSION	
2	FC1-0658-00P		1	REFLECTOR, F	
3	FC1-0659-00P		1	REFLECTOR, R	
4	FH0-0051-00P		1	SOLENOID	SL4 J30
5	FS4-2030-00P		1	SPRING, TENSION	
6	FG2-3009-00P		1	PRE COND EXPOSURE LAMP ASS'Y	
6A	FH7-3116-000		8	LAMP, 6V200WA	
7	FC2-9913-00P		1	PIN, ADJUSTING	
8	FC1-0655-000		1	ND FILTER	
9	FC1-0665-00P		2	ROLLER, SLIT	
10	FA0-0362-00P		1	SHEET, ANTIREFLECTING	
501	XB1-2300-409		6	SCREW, MACH., TRUSS HEAD, M3X4	
502	XB6-7300-609		2	SCREW, TP, M3X6	
503	XB1-2302-009		1	SCREW, MACH., TRUSS HEAD, M3X20	

# FIGURE 550 PRIMARY CORONA ASSEMBLY

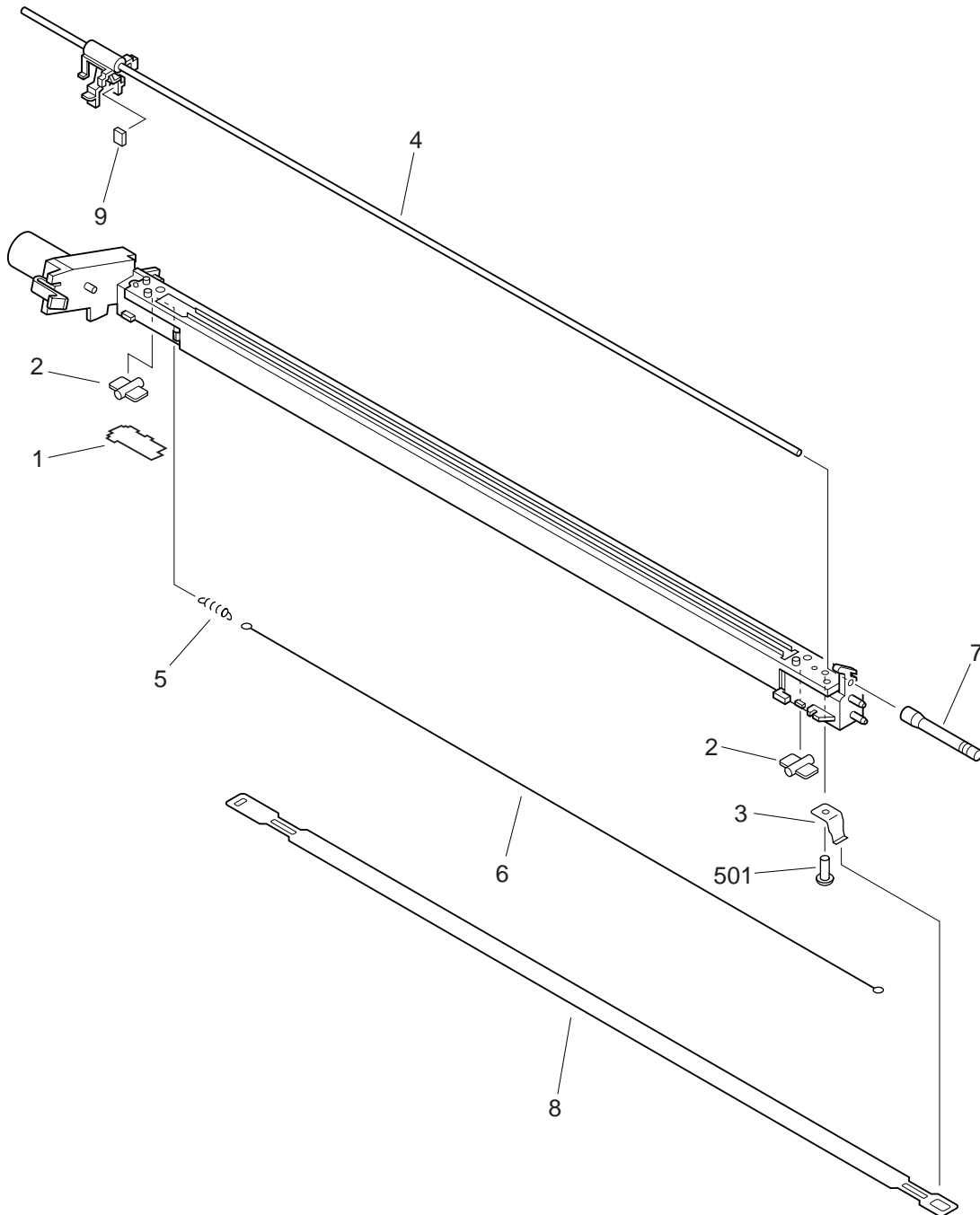


FIGURE & KEY NO.	PART NUMBER	RANK	QTY	DESCRIPTION	SERIAL NUMBER / REMARKS
550 -	FG3-0365-00P		1	PRIMARY CORONA ASSEMBLY	
1	FA5-1715-000		1	COVER, WIRE TERMINATION	
2	FC2-9871-00P		2	SPACER, GRID	
3	FC2-9872-00P		1	SPRING, LEAF	
4	FF3-3703-00P		1	ROD, WIRE CLEANING	
5	FS2-2763-000		1	SPRING, TENSION	
6	FY3-0040-000		AR	WIRE, CORONA, 0.06MM (20M)	
7	FC2-9927-00P		1	HANDLE	
8	FC2-9864-00P		1	GRID	
9	FC2-9866-00P		2	SPONGE, WIRE CLEANING	
501	XB2-7300-606		1	SCREW,W/WASHER,M3X6	

# FIGURE 580

## TRANSFER CORONA ASSEMBLY

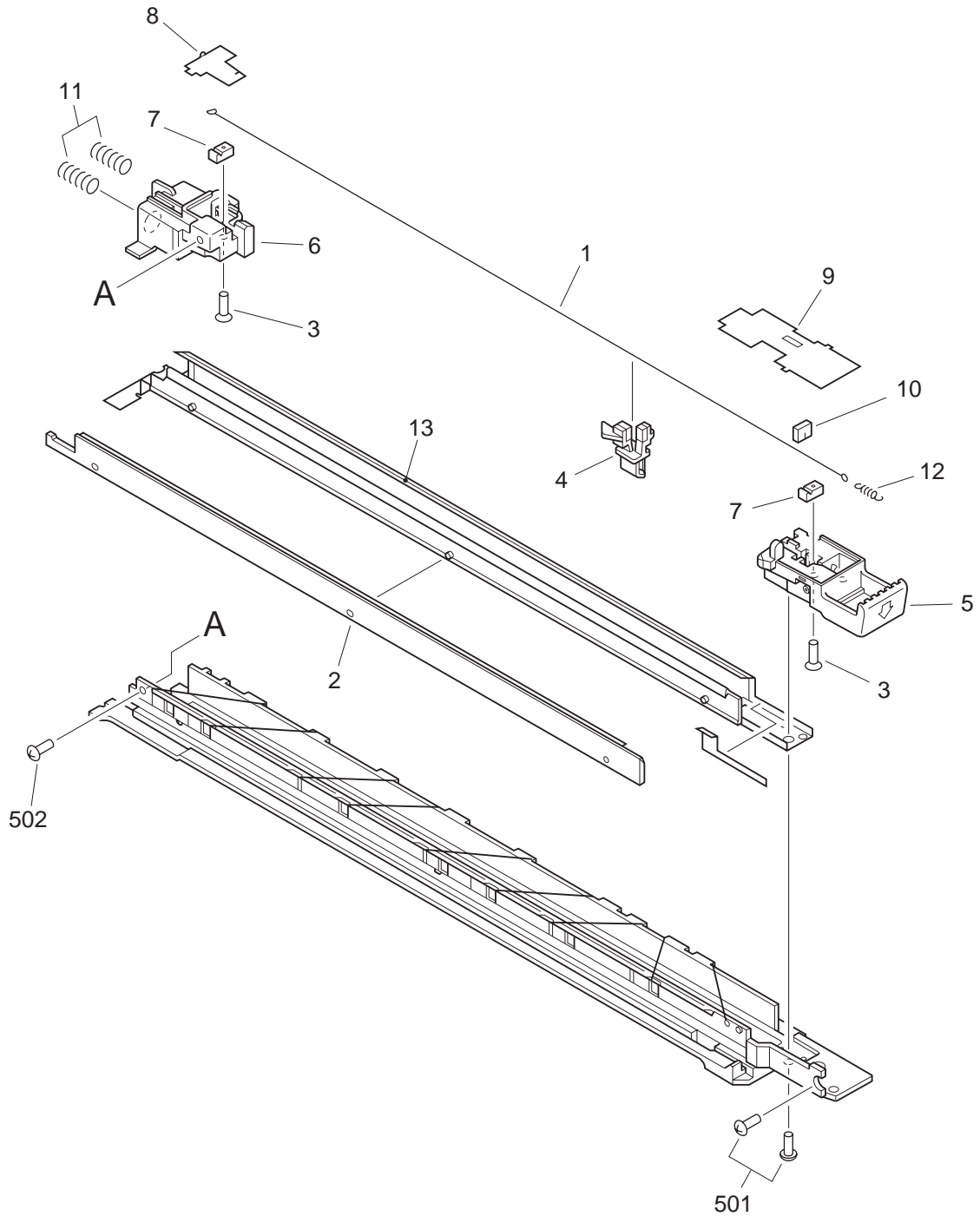


FIGURE & KEY NO.	PART NUMBER	RANK	QTY	DESCRIPTION	SERIAL NUMBER / REMARKS
580 -	FG3-0370-00P		1	TRANSFER CORONA ASSEMBLY	
1	FY3-0040-000		AR	WIRE, CORONA, 0.06MM (20M)	
2	FF1-9438-070		1	PLATE, STATIC CHARGE ELIM'R	
3	XA9-0159-000		2	SCREW,FT,C.S,HEAD,M3X12	
4	FF1-9440-030		1	CLEANING UNIT	
5	FF3-3707-00P		1	WIRE TERMINATION, FRONT	
6	FA5-1862-000		1	WIRE TERMINATION, REAR	
7	FA5-1873-000		2	GUIDE, CORONA WIRE	
8	FA5-1874-020		1	COVER, WIRE TERMINATION, REAR	
9	FA5-1875-020		1	COVER, WIRE TERMINATION, FRONT	
10	FA5-1878-000		1	DAMPER, RUBBER	
11	FS2-2781-000		2	SPRING, COMPRESSION	
12	97-5527-000		1	SPRING, TENSION	
13	FA5-1868-000		1	PLATE, TRANSFER CORONA	
501	XB6-7300-609		4	SCREW,TP,M3X6	
502	XB1-2300-609		1	SCREW,MACH.,TRUSS HEAD,M3X6	

# FIGURE 640

## DEVELOPING ASSEMBLY

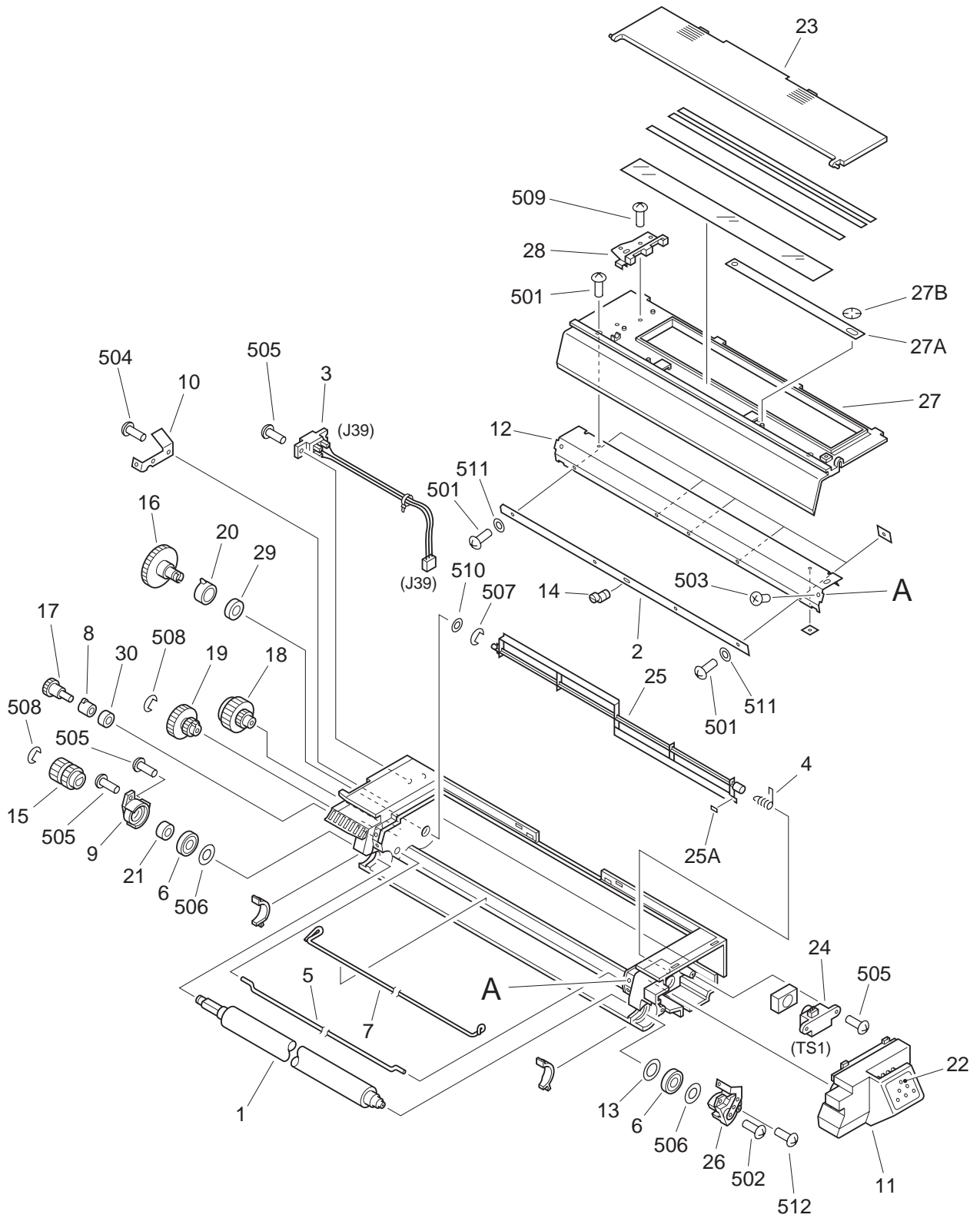
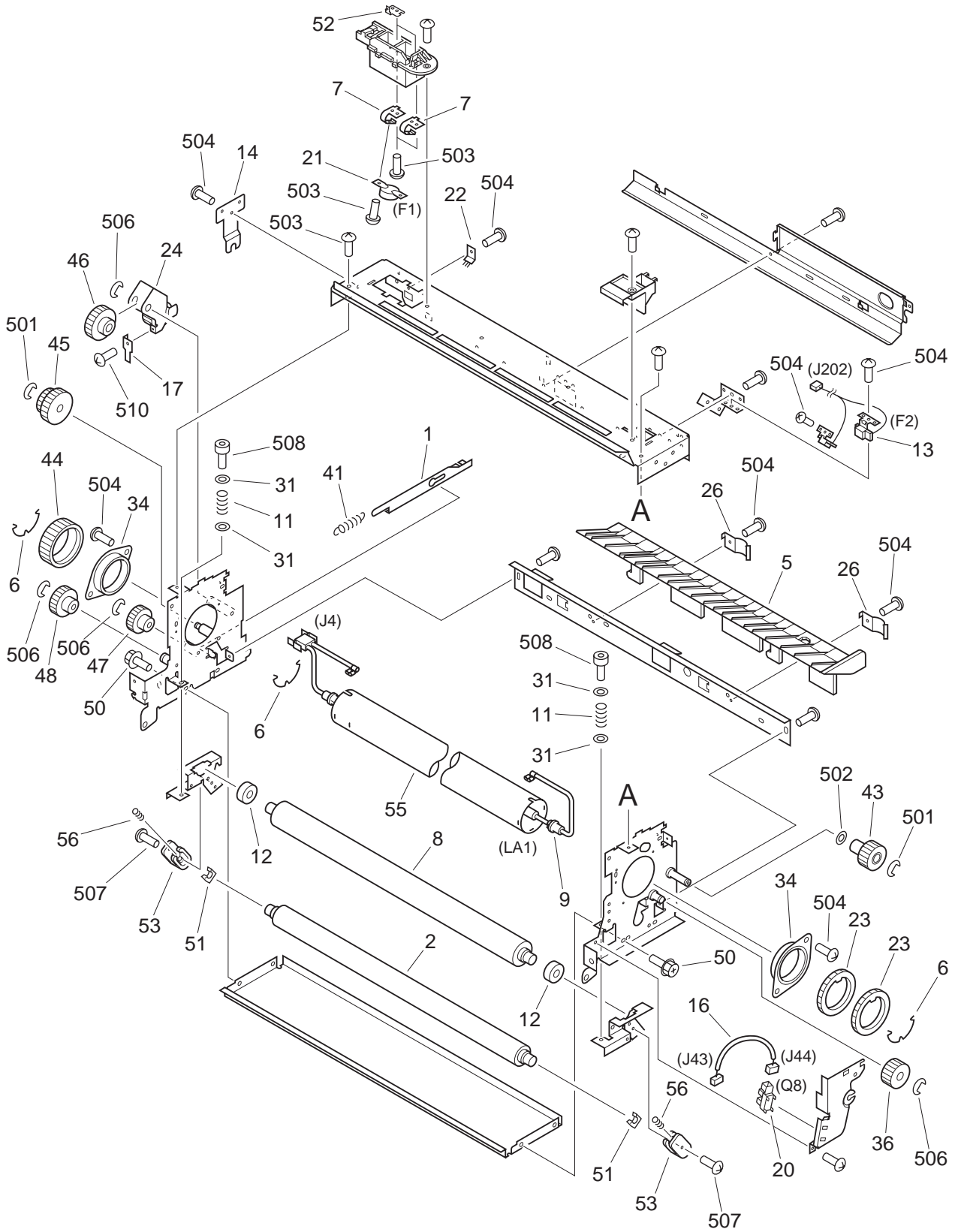


FIGURE & KEY NO.	PART NUMBER	RANK	QTY	DESCRIPTION	SERIAL NUMBER / REMARKS
640 -	FG3-0351-00P		1	DEVELOPING ASSEMBLY	
1	FC1-7194-000		1	CYLINDER, DEVELOPING	
2	FC2-9898-00P		1	BLADE	
3	FF9-0967-000		1	TONER SENSOR CABLE	J39
4	FS4-2186-000		1	SPRING, TORSION	
5	FC1-7200-040		1	ROD, STIRRING 2	
6	FS2-6019-000		2	ROLLER	
7	FC1-7201-040		1	ROD, STIRRING, AUXILIARY	
8	FS1-1598-000		1	BUSHING	
9	FA6-5301-000		1	HOLDER, SLEEVE, REAR	
10	FA5-1773-000		1	TERMINAL	
11	FC2-9925-00P		1	HANDLE	
12	FF3-3714-000		1	MOUNT, BLADE	
13	FC1-6833-000		1	RING, SLEEVE	
14	FA5-1762-000		1	BOSS	
15	FS2-0870-000		1	GEAR, 19T	
16	FS4-0565-00P		1	GEAR, 45T	
17	FS2-0872-020		1	GEAR, 14T	
18	FS2-0873-000		1	GEAR, 17T	
19	FS2-0874-000		1	GEAR, 30T	
20	FS1-1594-000		1	BUSHING	
21	XG9-0172-000		1	BEARING, BALL	
22	FS4-8106-000		1	LABEL, TONER	
23	FF1-9409-000		1	LID, DEVELOPING	
24	FF1-9410-000		1	SENSOR, TONER	TS1
25	FF3-3711-000		1	ROD, STIRRING	
25A	FC2-9937-000		1	SCRAPER	
26	FF2-3933-000		1	HOLDER, SLEEVE, FRONT	
27	FF1-9408-000		1	COVER, DEVELOPING	
27A	FA5-1777-000		1	STRAP, LIFTING	



FIGURE & KEY NO.	PART NUMBER	R A N K	Q T Y	DESCRIPTION	SERIAL NUMBER / REMARKS
640 - 27B	XD2-2300-402		2	RING,TOOTHED LOCK	
28	FA5-1787-000		1	STOP, CARTRIDGE	
29	FA5-1779-000		1	SEAL 1	
30	FA5-1780-000		1	SEAL 2	
501	XB1-2300-403		6	SCREW,MACH.,TRUSS HEAD,M3X4	
502	XB1-2300-603		1	SCREW,MACH.,TRUSS HEAD,M3X6	
503	XB1-2300-609		2	SCREW,MACH.,TRUSS HEAD,M3X6	
504	XB4-7300-809		2	SCREW,TAPPING,TRUSS HEAD,M3X8	
505	XB4-7301-009		8	SCREW,TAPPING,TRUSS HEAD,M3X10	
506	XD1-1108-212		4	SHIM	
507	XD2-1100-642		1	RING,E	
508	XD2-1100-502		2	RING,E	
509	XB4-7400-809		2	SCREW,TAPPING,TRUSS HEAD,M4X8	
510	XD1-1109-721		1	SHIM	
511	XD1-1103-135		4	SHIM	
512	XB6-7301-009		8	SCREW,TP,M3X10	

# FIGURE 810 FIXING ASSEMBLY (1/2)



# FIGURE 810 FIXING ASSEMBLY (2/2)

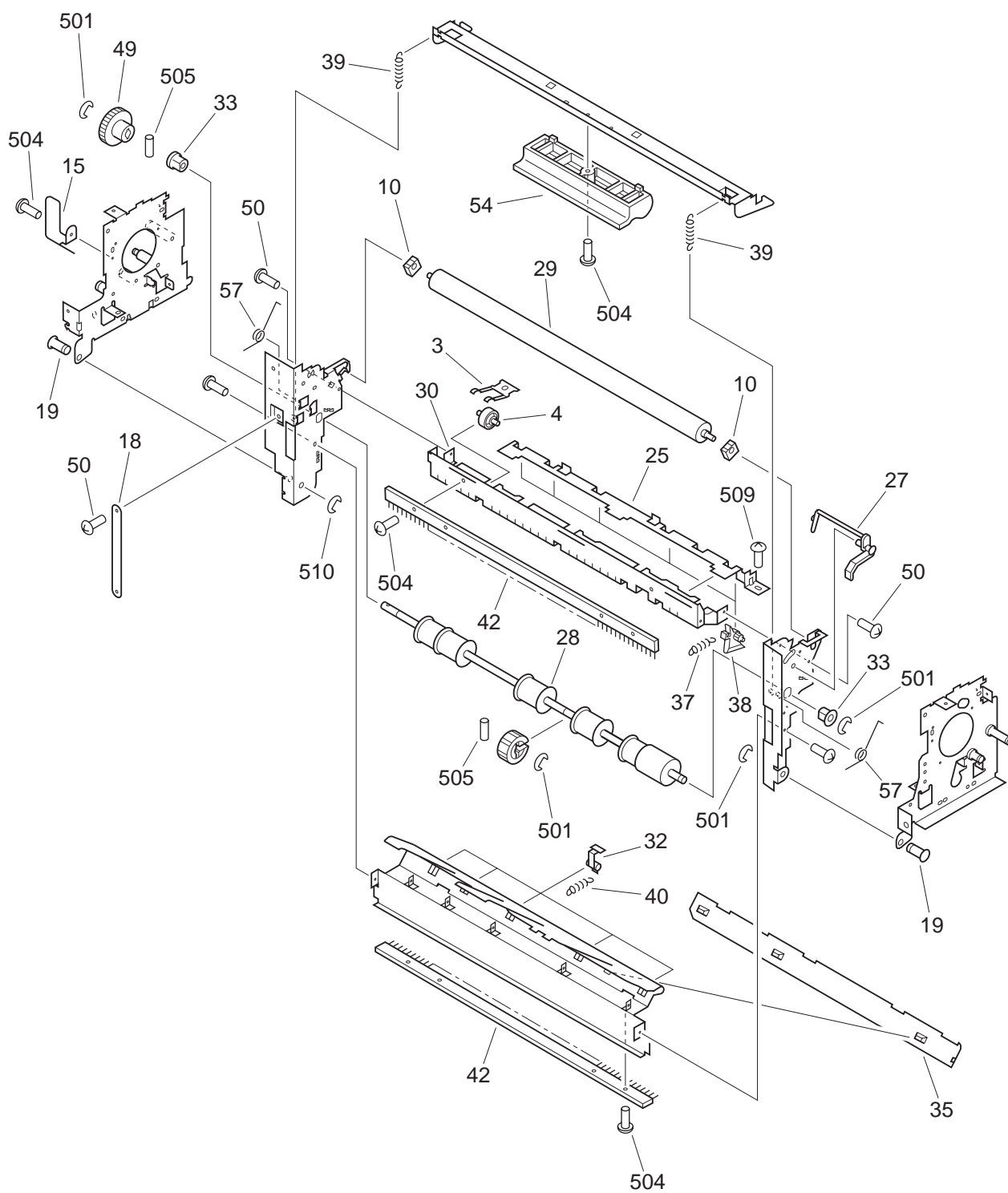


FIGURE & KEY NO.	PART NUMBER	R A N K	Q T Y	DESCRIPTION	SERIAL NUMBER / REMARKS
810 -	FG3-0339-00P		1	FIXING ASSEMBLY	
1	FA5-1936-000		1	PLATE	
2	FB3-4494-00P		1	ROLLER, HEATSINK	
3	FA6-5393-000		4	SUPPORT, ROLLER	
4	FB1-0303-000		4	ROLLER, DELIVERY, UPPER	
5	FA5-1922-000		1	GUIDE, PAPER	
6	FC2-9767-00P		3	RING, RETAINING	
7	FC2-9773-00P		2	SPRING, LEAF	
8	FC2-9774-00P		1	ROLLER, LOWER	
9	FH7-4634-00P		1	LAMP, HEATER	LA1 J4
10	FA0-0704-00P		2	BUSHING	
11	FS4-2287-00P		2	SPRING, COMPRESSION	
12	XG9-0287-000		2	BEARING, BALL	
13	FF3-2855-00P		1	THERMISTOR UNIT	F2 J202
14	FA5-1932-000		1	PLATE, HEATER SUPPORT, REAR	
15	FA5-1973-000		1	GEAR COVER, REAR	
16	FH0-0132-00P		1	CABLE, DELIVERY SENSOR	J43,44
17	FA5-1938-020		1	SPRING, LEAF	
18	FA0-0321-00P		1	STRAP, DOOR	
19	FS3-5210-00P		2	PIN, DOOR SUPPORT	
20	FH7-7087-020		1	PHOTO-INTERRUPTER	Q8 J44
21	FH7-7083-000		1	THERMOSWITCH	F1
22	FA5-1943-000		1	ELIMINATOR, STATIC CHARGE	
23	FA5-1944-000		2	GEAR, 40T	
24	FF1-9448-020		1	GEAR UNIT	
25	FA0-0224-00P		1	PLATE, ROLLER HOLDER	
26	FA5-1947-000		2	SPRING, LEAF	
27	FA0-0227-00P		1	LEVER, SENSING	
28	FF0-0068-00P		1	ROLLER, DELIVERY	
29	FA5-1952-000		1	ROLLER, OIL	

FIGURE & KEY NO.	PART NUMBER	R A N K	Q T Y	DESCRIPTION	SERIAL NUMBER / REMARKS
810 - 30	FA0-0223-00P		1	GUIDE, UPPER	
31	FA2-9078-000		4	WASHER, SPRING	
32	FA2-9037-000		5	CLAW, SEPARATION, LOWER	
33	FS1-1205-000		2	BUSHING	
34	FS1-1240-000		2	BUSHING	
35	FA0-0222-00P		1	PLATE, HOLDER, CLAW	
36	FS1-0884-000		1	GEAR, 22T	
37	FS3-2780-000		5	SPRING, TENSION	
38	FB1-0301-000		5	CLAW, SEPARATION, UPPER	
39	FS2-2776-000		2	SPRING, TENSION	
40	FS2-2778-000		5	SPRING, TENSION	
41	FS2-2774-000		1	SPRING, TENSION	
42	FA5-1969-000		2	ELIMINATOR, STATIC CHARGE	
43	FS2-0893-000		1	GEAR, 24T	
44	FS2-0888-020		1	GEAR, 40T	
45	FS2-0891-020		1	GEAR, 30T/20T	
46	FS2-0890-020		1	GEAR, 29T	
47	FS2-0892-000		1	GEAR, 18T	
48	FS2-0894-000		1	GEAR, 23T	
49	FA0-0703-00P		1	GEAR, 26T	
50	XA9-0626-000		26	SCREW,RS,M3X6	
51	FB2-2324-000		2	SUPPORT, ROLLER	
52	FC2-9772-00P		2	CONTACT	
53	FB3-4493-00P		2	MOUNT, HEATSINK ROLLER	
54	FA0-0651-00P		1	HANDLE	
55	FC2-8962-00P		1	ROLLER, PRESSURE	
56	FS6-2421-00P		2	SPRING, COMPRESSION	
57	FS4-2564-00P		2	SPRING, TORSION	
501	XD2-1100-502		AR	RING,E	
502	XD1-1108-221		2	SHIM	

FIGURE & KEY NO.	PART NUMBER	RANK	QTY	DESCRIPTION	SERIAL NUMBER / REMARKS
810 - 503	XB2-2300-603		4	SCREW,W/WASHER,M3X6	
504	XB6-7300-609		AR	SCREW,TP,M3X6	
505	XD3-2200-102		2	PIN,DOWEL	
506	XD2-1100-642		5	RING,E	
507	XB1-2300-309		9	SCREW,MACH.,TRUSS HEAD,M3X3	
508	XB7-1040-259		2	SCREW,ALLEN HEAD,M4X25	
509	XB1-2300-409		3	SCREW,MACH.,TRUSS HEAD,M3X4	
510	XB5-2300-609		1	SCREW,CT,M3X6	

# FIGURE 910 POWER SUPPLY ASSEMBLY

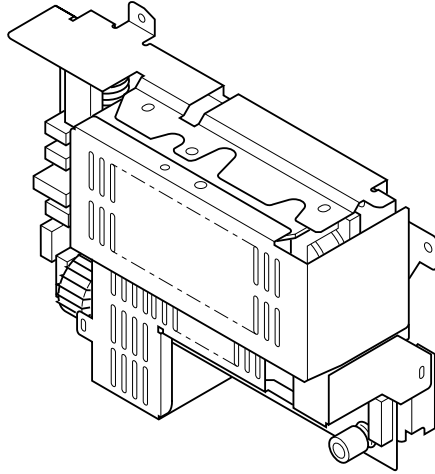


FIGURE & KEY NO.	PART NUMBER	RANK	QTY	DESCRIPTION	SERIAL NUMBER / REMARKS
910 -	FG3-0450-00P		1	POWER SUPPLY PCB ASSEMBLY	

# FIGURE 911

## NOISE FILTER PCB ASSEMBLY

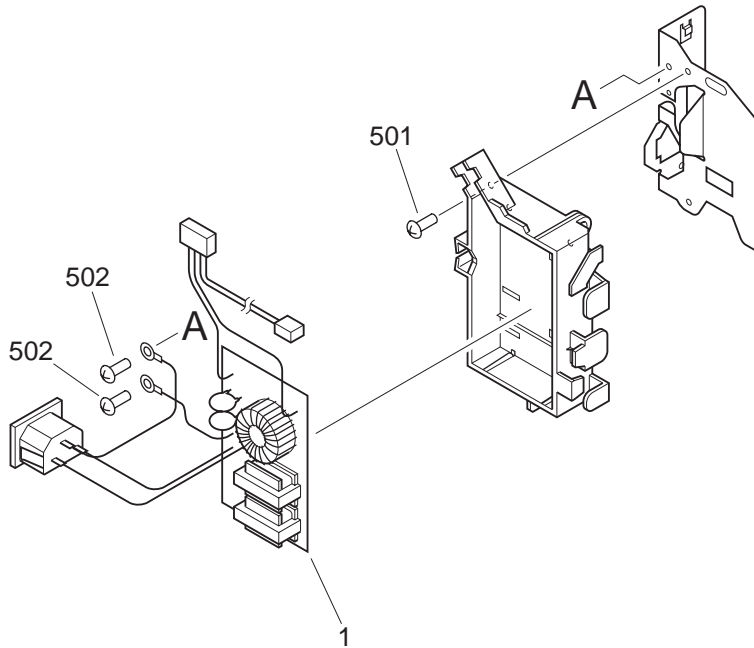


FIGURE & KEY NO.	PART NUMBER	RANK	QTY	DESCRIPTION	SERIAL NUMBER / REMARKS
911 -	FG3-0344-00P		1	NOISE FILTER PCB ASSEMBLY	
1	FG3-0446-00P		1	FILTER, NOISE	
501	XB1-2300-609		2	SCREW,MACH.,TRUSS HEAD,M3X6	
502	XB2-7400-606		2	SCREW,W/WASHER,M4X6	
-----					
-----					



# FIGURE 912 LAMP DRIVE PCB ASSEMBLY

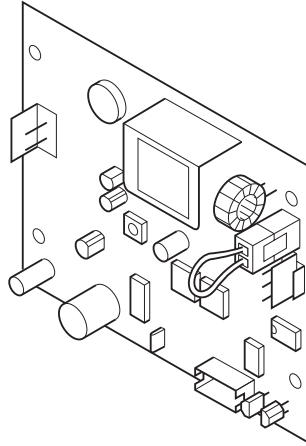


FIGURE & KEY NO.	PART NUMBER	RANK	QTY	DESCRIPTION	SERIAL NUMBER / REMARKS
912 -	FG3-0452-00P		1	LAMP DRIVE PCB ASSEMBLY	

# FIGURE 920 CONTROL PANEL PCB ASSEMBLY

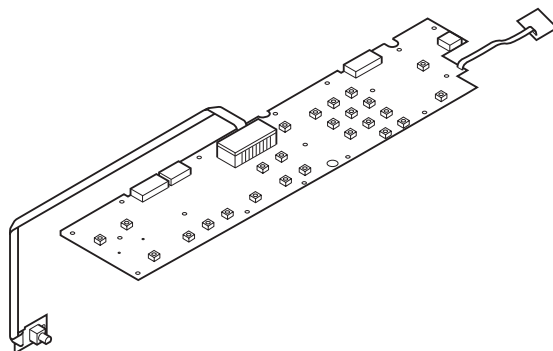


FIGURE & KEY NO.	PART NUMBER	RANK	QTY	DESCRIPTION	SERIAL NUMBER / REMARKS
920 -	FG3-0449-00P		1	CONTROL PANEL PCB ASSEMBLY	

# FIGURE 930

## DC CONTROLLER PCB ASSEMBLY

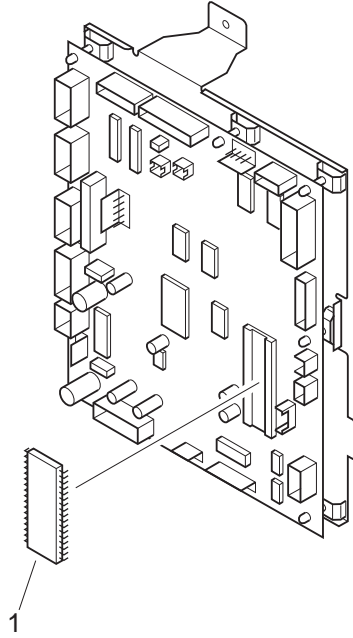


FIGURE & KEY NO.	PART NUMBER	RANK	QTY	DESCRIPTION	SERIAL NUMBER / REMARKS
930 -	FG3-0453-00P		1	DC CONTROLLER PCB ASSEMBLY	
1	FG3-0448-00P		1	IC, 27C256, EP-ROM	

# FIGURE 970 AE SENSOR PCB ASSEMBLY

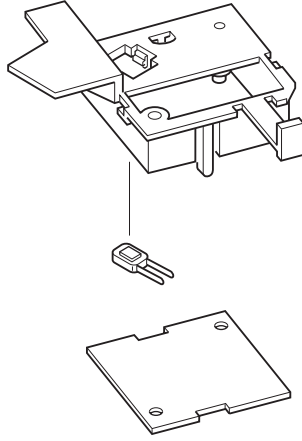
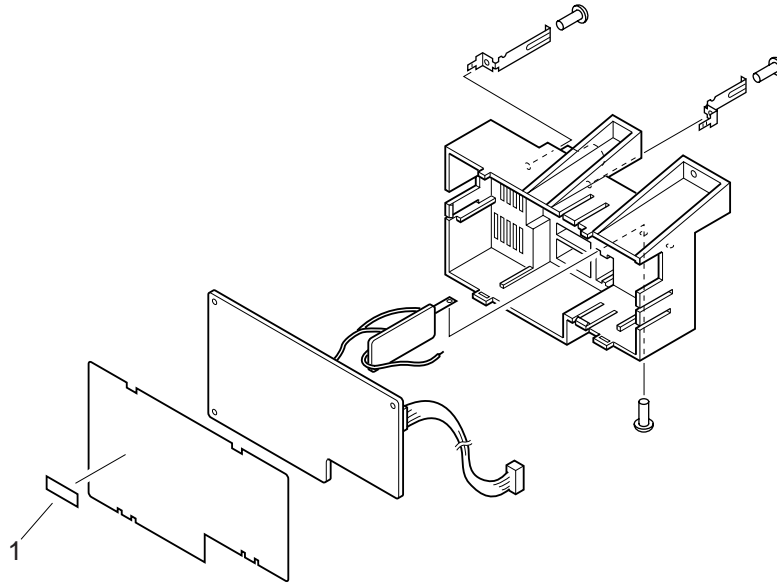


FIGURE & KEY NO.	PART NUMBER	RANK	QTY	DESCRIPTION	SERIAL NUMBER / REMARKS
970 -	FG2-1302-000		1	AE SENSOR PCB ASSEMBLY	

# FIGURE 980 H.V.TRANSFORMER ASSEMBLY



NOTE : This assembly does not include the part shown with key No. 1.

FIGURE & KEY NO.	PART NUMBER	RANK	QTY	DESCRIPTION	SERIAL NUMBER / REMARKS
980 -	FG3-0455-00P		1	HVT ASSEMBLY	
1	FS3-8377-000		1	LABEL, "WARNING, HIGH VOLTAGE"	SEE NOTE

# D NUMERICAL INDEX

PART NUMBER	FIGURE & KEY NO.	PART NUMBER	FIGURE & KEY NO.	PART NUMBER	FIGURE & KEY NO.
96 - 0093 - 000	103 - 6A	FA5 - 1983 - 000	250 - 2	FC2 - 9703 - 00P	300 - 4
97 - 5527 - 000	580 - 12	FA5 - 1984 - 000	250 - 3	FC2 - 9704 - 00P	300 - 5
FA0 - 0085 - 000	103 - 2	FA5 - 1988 - 000	250 - 1	FC2 - 9709 - 00P	300 - 8
FA0 - 0222 - 00P	810 - 35	FA5 - 2066 - 000	104 - 3	FC2 - 9710 - 00P	300 - 9
FA0 - 0223 - 00P	810 - 30	FA5 - 2090 - 000	103 - 7	FC2 - 9713 - 00P	300 - 10
FA0 - 0224 - 00P	810 - 25	FA5 - 2157 - 000	100 - 14	FC2 - 9721 - 00P	102 - 10
FA0 - 0227 - 00P	810 - 27	FA6 - 5301 - 000	640 - 9	FC2 - 9723 - 00P	310 - 3
FA0 - 0244 - 00P	330 - 1	FA6 - 5393 - 000	810 - 3	FC2 - 9724 - 00P	310 - 4
FA0 - 0245 - 00P	330 - 4	FA6 - 5605 - 000	104 - 16	FC2 - 9725 - 00P	310 - 5
FA0 - 0246 - 00P	330 - 6	FA6 - 5618 - 000	101 - 15	FC2 - 9726 - 00P	310 - 6
FA0 - 0247 - 00P	330 - 5	FA6 - 5625 - 000	100 - 10	FC2 - 9727 - 00P	310 - 7
FA0 - 0248 - 00P	330 - 14	FA6 - 5650 - 000	160 - 2	FC2 - 9728 - 00P	310 - 8
FA0 - 0249 - 00P	330 - 11	FA6 - 6843 - 000	020 - 9	FC2 - 9729 - 00P	310 - 9
FA0 - 0252 - 00P	330 - 17	FA6 - 6877 - 000	100 - 13F	FC2 - 9731 - 00P	310 - 10
FA0 - 0277 - 00P	330 - 3	FA6 - 6878 - 000	101 - 3B	FC2 - 9733 - 00P	310 - 11
FA0 - 0303 - 00P	100 - 6	FA9 - 1499 - 000	100 - 9A	FC2 - 9735 - 00P	310 - 12
FA0 - 0321 - 00P	810 - 18	FA9 - 1779 - 000	300 - 7	FC2 - 9736 - 00P	310 - 13
FA0 - 0339 - 00P	104 - 2	FA9 - 1780 - 000	101 - 11	FC2 - 9737 - 00P	310 - 14
FA0 - 0362 - 00P	450 - 10	FA9 - 1783 - 000	401 - 9	FC2 - 9738 - 00P	310 - 15
FA0 - 0649 - 00P	101 - 10	FA9 - 1785 - 000	101 - 4	FC2 - 9739 - 00P	310 - 16
FA0 - 0650 - 00P	103 - 15	FA9 - 2105 - 000	104 - 19	FC2 - 9743 - 00P	310 - 19
FA0 - 0651 - 00P	810 - 54	FB1 - 0301 - 000	810 - 38	FC2 - 9744 - 00P	103 - 17
FA0 - 0652 - 00P	100 - 12	FB1 - 0303 - 000	810 - 4	FC2 - 9745 - 00P	103 - 18
FA0 - 0664 - 00P	130 - 8	FB1 - 0733 - 000	101 - 3C	FC2 - 9748 - 00P	103 - 19
FA0 - 0668 - 00P	130 - 9	FB1 - 8581 - 000	310 - 26	FC2 - 9749 - 00P	103 - 20
FA0 - 0671 - 00P	100 - 13E	FB1 - 8771 - 020	160 - 3	FC2 - 9750 - 00P	103 - 21A
FA0 - 0678 - 00P	100 - 13D	FB1 - 8772 - 030	160 - 4		103 - 22A
FA0 - 0702 - 00P	330 - 8	FB2 - 2129 - 000	102 - 21	FC2 - 9755 - 00P	104 - 6
FA0 - 0703 - 00P	810 - 49	FB2 - 2324 - 000	810 - 51	FC2 - 9759 - 00P	265 - 1
FA0 - 0704 - 00P	810 - 10	FB2 - 2432 - 000	101 - 5	FC2 - 9767 - 00P	810 - 6
FA0 - 0705 - 00P	105 - 2	FB2 - 4512 - 000	310 - 29	FC2 - 9772 - 00P	810 - 52
FA1 - 0056 - 000	103 - 1	FB2 - 6419 - 000	310 - 24	FC2 - 9773 - 00P	810 - 7
FA2 - 7162 - 000	100 - 3	FB3 - 4493 - 00P	810 - 53	FC2 - 9774 - 00P	810 - 8
	100 - 13C	FB3 - 4494 - 00P	810 - 2	FC2 - 9794 - 00P	210 - 20
	310 - 32	FB3 - 4532 - 00P	100 - 13G	FC2 - 9799 - 00P	102 - 16
	810 - 32	FB3 - 4594 - 00P	220 - 11	FC2 - 9807 - 00P	210 - 22
FA2 - 9037 - 000	810 - 31	FC1 - 0655 - 000	450 - 8	FC2 - 9816 - 00P	210 - 3
FA2 - 9078 - 000	160 - 5A	FC1 - 0658 - 00P	450 - 2	FC2 - 9818 - 00P	210 - 4
FA3 - 9055 - 000	102 - 5	FC1 - 0659 - 00P	450 - 3	FC2 - 9819 - 00P	210 - 5
FA4 - 1149 - 000	351 - 2	FC1 - 0665 - 00P	450 - 9	FC2 - 9820 - 00P	210 - 11
FA4 - 5594 - 000	160 - 1	FC1 - 0685 - 00P	351 - 1	FC2 - 9830 - 00P	210 - 14
FA5 - 1185 - 000	400 - 7	FC1 - 0706 - 00P	330 - 9	FC2 - 9831 - 00P	102 - 17
FA5 - 1628 - 000	400 - 8	FC1 - 0712 - 00P	103 - 11	FC2 - 9841 - 00P	100 - 13B
FA5 - 1630 - 000	400 - 8	FC1 - 0713 - 00P	103 - 8	FC2 - 9842 - 00P	100 - 13A
FA5 - 1633 - 030	400 - 11	FC1 - 0717 - 00P	310 - 33	FC2 - 9845 - 00P	130 - 2
FA5 - 1636 - 000	400 - 14	FC1 - 0772 - 00P	310 - 2	FC2 - 9846 - 00P	130 - 3
FA5 - 1637 - 000	400 - 15	FC1 - 0782 - 00P	300 - 29	FC2 - 9847 - 00P	130 - 4
FA5 - 1642 - 000	401 - 2	FC1 - 0898 - 00P	105 - 9	FC2 - 9848 - 00P	130 - 5
FA5 - 1643 - 000	401 - 3	FC1 - 0899 - 00P	105 - 10	FC2 - 9849 - 00P	130 - 6
FA5 - 1644 - 000	401 - 4	FC1 - 0901 - 00P	105 - 6	FC2 - 9851 - 00P	100 - 5
FA5 - 1646 - 000	401 - 5	FC1 - 1010 - 00P	130 - 10	FC2 - 9852 - 00P	130 - 7
FA5 - 1647 - 000	401 - 6	FC1 - 1013 - 000	103 - 26	FC2 - 9853 - 00P	130 - 11
FA5 - 1650 - 000	400 - 17	FC1 - 1015 - 00P	105 - 3	FC2 - 9859 - 00P	300 - 11
FA5 - 1656 - 000	220 - 3	FC1 - 1726 - 000	020 - 10	FC2 - 9860 - 00P	102 - 2
FA5 - 1715 - 000	550 - 1	FC1 - 1727 - 000	020 - 1	FC2 - 9861 - 00P	310 - 28
FA5 - 1762 - 000	640 - 14	FC1 - 1762 - 030	020 - 11	FC2 - 9864 - 00P	550 - 8
FA5 - 1773 - 000	640 - 10	FC1 - 3568 - 00P	400 - 12	FC2 - 9866 - 00P	550 - 9
FA5 - 1777 - 000	640 - 27A	FC1 - 3569 - 00P	401 - 7	FC2 - 9871 - 00P	550 - 2
FA5 - 1779 - 000	640 - 29	FC1 - 5358 - 00P	100 - 4A	FC2 - 9872 - 00P	550 - 3
FA5 - 1780 - 000	640 - 30	FC1 - 5359 - 00P	100 - 4B	FC2 - 9875 - 00P	265 - 2
FA5 - 1787 - 000	640 - 28	FC1 - 5361 - 00P	100 - 1	FC2 - 9877 - 00P	300 - 12
FA5 - 1802 - 000	102 - 14	FC1 - 5368 - 00P	103 - 13	FC2 - 9878 - 00P	300 - 13
FA5 - 1853 - 000	351 - 3	FC1 - 5382 - 00P	130 - 14	FC2 - 9879 - 00P	300 - 14
FA5 - 1854 - 000	351 - 4	FC1 - 5384 - 00P	130 - 24	FC2 - 9880 - 00P	300 - 15
FA5 - 1855 - 000	351 - 5	FC1 - 5386 - 00P	130 - 15	FC2 - 9881 - 00P	300 - 16
FA5 - 1862 - 000	580 - 6	FC1 - 5387 - 00P	130 - 16	FC2 - 9882 - 00P	300 - 17
FA5 - 1868 - 000	580 - 13	FC1 - 5388 - 00P	130 - 17	FC2 - 9892 - 00P	310 - 21
FA5 - 1873 - 000	580 - 7	FC1 - 5389 - 00P	130 - 18	FC2 - 9895 - 00P	300 - 18
FA5 - 1874 - 020	580 - 8	FC1 - 5390 - 00P	130 - 19	FC2 - 9897 - 00P	310 - 20
FA5 - 1875 - 020	580 - 9	FC1 - 5391 - 00P	130 - 20	FC2 - 9898 - 00P	640 - 2
FA5 - 1878 - 000	580 - 10	FC1 - 5392 - 00P	130 - 21	FC2 - 9900 - 00P	101 - 14
FA5 - 1901 - 000	330 - 10	FC1 - 5393 - 00P	130 - 22	FC2 - 9903 - 00P	310 - 27A
FA5 - 1903 - 000	330 - 12	FC1 - 5394 - 00P	130 - 23	FC2 - 9905 - 00P	265 - 3
FA5 - 1904 - 000	330 - 13	FC1 - 5404 - 00P	100 - 8	FC2 - 9906 - 00P	310 - 27B
FA5 - 1907 - 000	330 - 16	FC1 - 6833 - 000	640 - 13	FC2 - 9912 - 00P	300 - 19
FA5 - 1912 - 000	103 - 14	FC1 - 7194 - 000	640 - 1	FC2 - 9913 - 00P	450 - 7
FA5 - 1922 - 000	810 - 5	FC1 - 7200 - 040	640 - 5	FC2 - 9914 - 00P	310 - 1A
FA5 - 1932 - 000	810 - 14	FC1 - 7201 - 040	640 - 7	FC2 - 9915 - 00P	300 - 21
FA5 - 1936 - 000	810 - 1	FC1 - 9002 - 00P	105 - 11	FC2 - 9925 - 00P	640 - 11
FA5 - 1938 - 020	810 - 17	FC2 - 8866 - 00P	130 - 1	FC2 - 9926 - 00P	103 - 16
FA5 - 1943 - 000	810 - 22	FC2 - 8962 - 00P	810 - 55	FC2 - 9927 - 00P	550 - 7
FA5 - 1944 - 000	810 - 23	FC2 - 9687 - 00P	300 - 23	FC2 - 9935 - 00P	105 - 12
FA5 - 1947 - 000	810 - 26	FC2 - 9700 - 00P	300 - 1	FC2 - 9937 - 000	640 - 25A
FA5 - 1952 - 000	810 - 29	FC2 - 9701 - 00P	300 - 2	FC3 - 0050 - 000	020 - 3
FA5 - 1969 - 000	810 - 42	FC2 - 9702 - 00P	300 - 3	FC3 - 0051 - 000	020 - 4
FA5 - 1973 - 000	810 - 15				

PART NUMBER	FIGURE & KEY NO.	PART NUMBER	FIGURE & KEY NO.	PART NUMBER	FIGURE & KEY NO.
FC3 - 0052 - 000	020 - 12	FG3 - 0452 - 00P	912 -	FS2 - 2765 - 000	450 - 1
FC3 - 0053 - 000	020 - 13	FG3 - 0453 - 00P	930 -	FS2 - 2766 - 000	220 - 9
FF0 - 0068 - 00P	810 - 28	FG3 - 0454 - 00P	400 - 16	FS2 - 2767 - 000	220 - 10
FF1 - 9385 - 000	400 - 3	FG3 - 0455 - 00P	980 -	FS2 - 2768 - 000	102 - 7
FF1 - 9386 - 000	400 - 4	FG3 - 0457 - 00P	104 - 12	FS2 - 2770 - 000	250 - 6
FF1 - 9387 - 020	400 - 5	FG3 - 0458 - 00P	104 - 15	FS2 - 2773 - 000	330 - 21
FF1 - 9403 - 040	101 - 2	FG3 - 0460 - 00P	101 - 6	FS2 - 2774 - 000	810 - 41
FF1 - 9408 - 000	640 - 27	FG3 - 0463 - 00P	104 - 7	FS2 - 2776 - 000	810 - 39
FF1 - 9409 - 000	640 - 23	FG3 - 0464 - 00P	210 - 17	FS2 - 2778 - 000	810 - 40
FF1 - 9410 - 000	640 - 24	FG3 - 0548 - 000	020 - 14	FS2 - 2781 - 000	580 - 11
FF1 - 9412 - 000	102 - 13	FG5 - 1974 - 050	160 -	FS2 - 2782 - 000	330 - 20
FF1 - 9414 - 020	250 - 12	FH0 - 0051 - 00P	450 - 4	FS2 - 2784 - 000	101 - 13
FF1 - 9438 - 070	580 - 2	FH0 - 0055 - 00P	102 - 9	FS2 - 2788 - 000	400 - 13
FF1 - 9440 - 030	580 - 4		210 - 13	FS2 - 6019 - 000	640 - 6
FF1 - 9448 - 020	810 - 24	FH0 - 0065 - 01P	220 - 1	FS2 - 8614 - 000	020 - 8
FF2 - 0012 - 030	100 - 9	FH0 - 0093 - 00P	104 - 1	FS2 - 9374 - 00P	103 - 12
FF2 - 0658 - 000	351 - 6	FH0 - 0132 - 00P	810 - 16	FS3 - 2780 - 000	810 - 37
FF2 - 0666 - 000	330 - 15	FH0 - 0199 - 00P	104 - 8	FS3 - 5210 - 00P	810 - 19
FF2 - 1573 - 000	400 - 9	FH2 - 5761 - 020	104 - 17	FS3 - 8377 - 000	101 - 3A
FF2 - 1574 - 000	400 - 10	FH2 - 9039 - 030	330 - 2		980 - 1
FF2 - 3933 - 000	640 - 26	FH6 - 1607 - 000	252 - 1	FS4 - 0553 - 00P	103 - 24
FF2 - 3941 - 020	160 - 5	FH6 - 1704 - 00P	210 - 12	FS4 - 0554 - 00P	103 - 25
FF2 - 5595 - 00P	102 - 8	FH7 - 3114 - 000	400 - 1	FS4 - 0557 - 00P	265 - 5
FF2 - 5601 - 00P	220 - 4	FH7 - 3116 - 000	450 - 6A	FS4 - 0558 - 00P	252 - 2
FF3 - 2855 - 00P	810 - 13	FH7 - 4634 - 00P	810 - 9	FS4 - 0559 - 00P	252 - 3
FF3 - 2888 - 00P	210 - 16	FH7 - 5141 - 000	103 - 23	FS4 - 0560 - 00P	255 - 2
FF3 - 3667 - 00P	300 - 20	FH7 - 5142 - 000	220 - 2	FS4 - 0561 - 00P	255 - 3
FF3 - 3672 - 00P	102 - 1	FH7 - 5272 - 000	103 - 27	FS4 - 0562 - 00P	255 - 4
FF3 - 3687 - 00P	100 - 2	FH7 - 5903 - 00P	265 - 4	FS4 - 0563 - 00P	210 - 9
FF3 - 3698 - 00P	310 - 27	FH7 - 6113 - 020	104 - 4	FS4 - 0564 - 00P	210 - 10
FF3 - 3699 - 00P	300 - 22	FH7 - 6303 - 00P	101 - 7	FS4 - 0565 - 00P	640 - 16
FF3 - 3700 - 00P	310 - 17	FH7 - 7083 - 000	810 - 21	FS4 - 2030 - 00P	450 - 5
FF3 - 3701 - 00P	310 - 18	FH7 - 7087 - 020	810 - 20	FS4 - 2031 - 00P	310 - 25
FF3 - 3703 - 00P	550 - 4	FN1 - 4216 - 000	210 - 18	FS4 - 2034 - 00P	105 - 8
FF3 - 3704 - 00P	310 - 1	FN1 - 4415 - 00P	210 - 2	FS4 - 2035 - 00P	105 - 7
FF3 - 3706 - 00P	300 - 6	FN1 - 4416 - 00P	210 - 7	FS4 - 2038 - 00P	103 - 9
FF3 - 3707 - 00P	580 - 5	FN1 - 4417 - 00P	210 - 8	FS4 - 2039 - 00P	103 - 10
FF3 - 3708 - 00P	105 - 5	FN1 - 4418 - 00P	401 - 1	FS4 - 2186 - 000	640 - 4
FF3 - 3709 - 00P	105 - 4	FN1 - 4419 - 00P	400 - 18	FS4 - 2287 - 00P	810 - 11
FF3 - 3711 - 000	640 - 25	FS1 - 0036 - 00P	250 - 8	FS4 - 2564 - 00P	810 - 57
FF3 - 3714 - 000	640 - 12	FS1 - 0037 - 00P	250 - 9	FS4 - 2646 - 00P	300 - 24
FF9 - 0967 - 000	640 - 3	FS1 - 0884 - 000	810 - 36	FS4 - 2647 - 00P	300 - 25
FG2 - 1302 - 000	970 -	FS1 - 1189 - 000	250 - 4	FS4 - 2648 - 00P	300 - 26
FG2 - 2975 - 00P	103 - 4		330 - 18	FS4 - 2650 - 00P	310 - 22
FG2 - 2986 - 01P	220 -	FS1 - 1202 - 000	102 - 6	FS4 - 2651 - 00P	103 - 30
FG2 - 3009 - 00P	450 - 6		330 - 7	FS4 - 2652 - 00P	265 - 6
FG2 - 3019 - 00P	351 -	FS1 - 1205 - 000	810 - 33	FS4 - 2654 - 00P	210 - 6
FG2 - 9016 - 00P	102 - 18	FS1 - 1240 - 000	810 - 34	FS4 - 2655 - 00P	300 - 27
FG2 - 9098 - 00P	130 - 13	FS1 - 1402 - 000	102 - 19	FS4 - 2656 - 00P	300 - 28
FG3 - 0185 - 00P	330 -		103 - 3	FS4 - 2658 - 00P	104 - 5
FG3 - 0326 - 00P	103 - 6	FS1 - 1411 - 000	103 - 29	FS4 - 8106 - 000	640 - 22
FG3 - 0327 - 00P	100 - 4	FS1 - 1462 - 000	102 - 11	FS4 - 8107 - 000	400 - 6
FG3 - 0328 - 00P	300 -		310 - 30	FS5 - 2647 - 000	310 - 23
FG3 - 0333 - 00P	310 -	FS1 - 1594 - 000	640 - 20	FS5 - 2653 - 000	102 - 22
FG3 - 0337 - 00P	265 -	FS1 - 1595 - 000	103 - 5	FS5 - 2663 - 000	310 - 31
FG3 - 0338 - 00P	255 -	FS1 - 1598 - 000	640 - 8	FS6 - 2421 - 00P	810 - 56
FG3 - 0339 - 00P	810 -	FS1 - 3293 - 000	250 - 5	FS8 - 8185 - 000	100 - 11
FG3 - 0341 - 00P	401 -		255 - 1	FS8 - 8189 - 000	100 - 15
FG3 - 0344 - 00P	911 -	FS1 - 9003 - 000	100 - 7	FS8 - 8545 - 000	020 - 6
FG3 - 0346 - 00P	265 - 7	FS1 - 9073 - 000	220 - 5	FS8 - 8546 - 000	020 - 7
FG3 - 0347 - 00P	100 - 13	FS1 - 9120 - 000	210 - 21	FS9 - 0151 - 00P	104 - 18
FG3 - 0348 - 00P	101 - 3	FS1 - 9169 - 000	102 - 4	FS9 - 0152 - 00P	300 - 20A
FG3 - 0349 - 00P	130 -	FS1 - 9255 - 000	101 - 12	FS9 - 0153 - 00P	300 - 30
FG3 - 0351 - 00P	640 -	FS2 - 0122 - 000	103 - 4A	FS9 - 0154 - 00P	300 - 22A
FG3 - 0352 - 00P	103 - 21	FS2 - 0866 - 000	210 - 1	FY3 - 0040 - 000	550 - 6
FG3 - 0353 - 00P	103 - 22	FS2 - 0867 - 000	220 - 6		580 - 1
FG3 - 0355 - 00P	252 -	FS2 - 0868 - 000	220 - 7	WC8 - 5051 - 000	101 - 8
FG3 - 0356 - 00P	400 -	FS2 - 0869 - 000	220 - 8	WG8 - 5187 - 000	210 - 15
FG3 - 0357 - 00P	250 -	FS2 - 0870 - 000	640 - 15	WP1 - 0019 - 000	101 - 1
FG3 - 0358 - 00P	450 -	FS2 - 0872 - 020	640 - 17	XA9 - 0159 - 000	580 - 3
FG3 - 0365 - 00P	550 -	FS2 - 0873 - 000	640 - 18	XA9 - 0265 - 000	020 - 5
FG3 - 0370 - 00P	580 -	FS2 - 0874 - 000	640 - 19	XA9 - 0266 - 000	020 - 15
FG3 - 0422 - 00P	104 - 9	FS2 - 0875 - 000	102 - 12	XA9 - 0626 - 000	102 - 3
FG3 - 0423 - 00P	104 - 10	FS2 - 0878 - 000	250 - 7		810 - 50
FG3 - 0427 - 00P	210 - 19	FS2 - 0881 - 020	250 - 10	XA9 - 0628 - 000	101 - 9
FG3 - 0432 - 00P	104 - 11	FS2 - 0887 - 000	330 - 19		105 - 1
FG3 - 0433 - 00P	104 - 14	FS2 - 0888 - 020	810 - 44	XB1 - 2300 - 309	265 - 504
FG3 - 0436 - 00P	102 - 15	FS2 - 0890 - 020	810 - 46		400 - 502
FG3 - 0438 - 00P	130 - 12	FS2 - 0891 - 020	810 - 45		810 - 507
FG3 - 0440 - 00P	104 - 13	FS2 - 0892 - 000	810 - 47	XB1 - 2300 - 403	640 - 501
FG3 - 0441 - 00P	102 - 20	FS2 - 0893 - 000	810 - 43	XB1 - 2300 - 409	104 - 501
FG3 - 0446 - 00P	911 - 1	FS2 - 0894 - 000	810 - 48		220 - 501
FG3 - 0448 - 00P	930 - 1	FS2 - 1431 - 000	103 - 28		330 - 501
FG3 - 0449 - 00P	920 -	FS2 - 1667 - 000	265 - 8		351 - 501
FG3 - 0450 - 00P	910 -	FS2 - 2763 - 000	550 - 5		400 - 501

PART NUMBER	FIGURE & KEY NO.	PART NUMBER	FIGURE & KEY NO.	PART NUMBER	FIGURE & KEY NO.
XB1 - 2300 - 409	450 - 501	XD2 - 1100 - 502	104 - 505		
	810 - 509		220 - 505		
XB1 - 2300 - 603	640 - 502		250 - 501		
XB1 - 2300 - 609	101 - 503		252 - 501		
	102 - 505		265 - 501		
	210 - 503		310 - 506		
	250 - 505		330 - 506		
	252 - 502		640 - 508		
	351 - 502		810 - 501		
	400 - 503	XD2 - 1100 - 642	102 - 506		
	401 - 501		103 - 501		
	580 - 502		210 - 502		
	640 - 503		220 - 503		
	911 - 501		250 - 504		
XB1 - 2300 - 809	130 - 501		255 - 503		
	310 - 505		310 - 501		
XB1 - 2302 - 009	450 - 503		330 - 504		
XB1 - 2400 - 606	020 - 501		401 - 502		
XB1 - 2400 - 609	020 - 507		640 - 507		
	100 - 503		810 - 506		
	102 - 504	XD2 - 2100 - 302	400 - 504		
	103 - 505	XD2 - 2100 - 802	103 - 507		
	104 - 504	XD2 - 2300 - 402	640 - 27B		
	105 - 502	XD3 - 1160 - 122	103 - 502		
	210 - 501	XD3 - 1160 - 142	103 - 506		
	310 - 507	XD3 - 2160 - 162	310 - 503		
	330 - 502	XD3 - 2200 - 102	265 - 502		
	400 - 505		810 - 505		
XB1 - 2400 - 805	100 - 502	XD3 - 2200 - 121	330 - 503		
	103 - 503	XD3 - 2200 - 142	310 - 502		
XB1 - 2401 - 006	020 - 502	XD3 - 2200 - 162	250 - 503		
XB1 - 2401 - 206	020 - 503		255 - 502		
XB1 - 2401 - 609	160 - 501		330 - 507		
XB1 - 2402 - 009	020 - 504	XD3 - 2300 - 162	220 - 504		
XB2 - 2300 - 603	810 - 503	XF9 - 0210 - 000	250 - 11		
XB2 - 7300 - 606	550 - 501	XG9 - 0089 - 000	400 - 2		
XB2 - 7400 - 606	911 - 502		401 - 8		
XB3 - 2301 - 006	020 - 505	XG9 - 0172 - 000	640 - 21		
XB3 - 2401 - 009	102 - 508	XG9 - 0287 - 000	810 - 12		
XB4 - 7300 - 609	102 - 503	XZ9 - 0305 - 020	020 - 2		
	300 - 501	XZ9 - 0423 - 00P	101 - 3D		
XB4 - 7300 - 809	102 - 507				
	310 - 508				
	640 - 504				
XB4 - 7301 - 009	640 - 505				
XB4 - 7400 - 809	100 - 501				
	102 - 501				
	640 - 509				
XB4 - 7401 - 009	160 - 502				
	300 - 502				
XB4 - 7401 - 209	105 - 501				
XB5 - 2300 - 609	810 - 510				
XB6 - 7300 - 607	310 - 504				
XB6 - 7300 - 609	210 - 504				
	450 - 502				
	580 - 501				
	810 - 504				
XB6 - 7301 - 009	640 - 512				
XB6 - 7400 - 609	103 - 504				
	104 - 503				
	255 - 501				
XB7 - 1040 - 259	810 - 508				
XD1 - 1103 - 135	640 - 511				
XD1 - 1106 - 723	101 - 501				
XD1 - 1108 - 212	640 - 506				
XD1 - 1108 - 221	810 - 502				
XD1 - 1108 - 225	250 - 502				
	330 - 508				
XD1 - 1108 - 229	220 - 502				
XD1 - 1109 - 721	640 - 510				
XD1 - 2100 - 305	265 - 503				
	300 - 504				
	351 - 503				
XD1 - 2100 - 309	400 - 506				
	401 - 503				
XD1 - 3100 - 309	400 - 509				
XD1 - 4200 - 302	104 - 502				
	400 - 507				
XD1 - 4200 - 402	020 - 506				
	101 - 502				
	330 - 505				
	400 - 508				
XD2 - 1100 - 402	210 - 505				
	300 - 503				
XD2 - 1100 - 502	102 - 502				



Prepared by  
OFFICE IMAGING PRODUCTS TECHNICAL SUPPORT DIV.  
CANON INC.  
Printed in Japan

REVISION 0 [ APR. 1999 ]

5-1, Hakusan 7-chome, Toride-city, Ibaraki 302-8501, Japan

**Canon**